

Quick Installation Guide

300Mbps Wireless N Access Point

TL-WA801ND

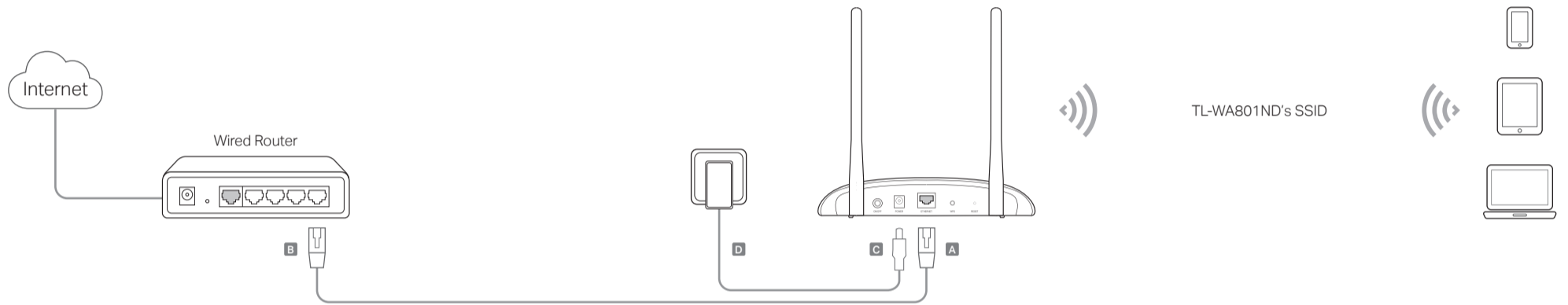


Which mode do you need? Please refer to the table to choose a proper mode.

Scenarios	Operating Modes
You want to transform your wired (Ethernet) network to a wireless one.	Access Point Mode (Default Mode)
You are in a Wi-Fi dead zone or a place with weak wireless signal. You want to have a larger effective range of the wireless signal throughout your home or office.	Repeater/Bridge Mode
You have a wired device with an Ethernet port and no wireless capability, for example, a smart TV, media player, or game console. You want to connect it to the internet wirelessly.	Client Mode
You want to connect your devices to different wireless networks and become isolated by VLANs.	Multi-SSID Mode

Configure the Access Point

- **Access Point Mode (Default)** Transforms your existing wired network to a wireless one.

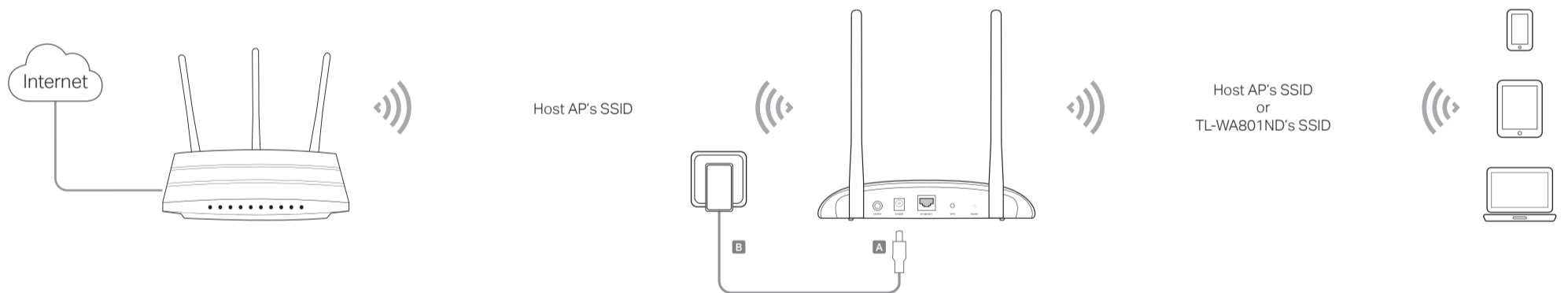


1. Connect the access point according to Step **A** to **D** in the diagram.
2. Power on the access point, wait until the Power (⏻) and Wireless (📶) LEDs are lit and stable, and use the default SSID and Password printed on the label of the access point to join its Wi-Fi network.
Note: You can surf the internet now. For your wireless network security, it is recommended to change the default SSID (network name) and the password of your Wi-Fi network. To do so, perform the following steps.
3. Launch a web browser and enter <http://tplinkap.net>. Then log in using

- admin** (all lowercase) for both username and password.
- 4. Click **Quick Setup**, select **Access Point** mode and click **Next**. Follow the step-by-step instructions to complete the configuration.
- 5. Now, reconnect your wireless devices to the new Wi-Fi network.

😊 **Enjoy!**

- **Repeater/Bridge Mode** Extends the range of an existing Wi-Fi network.

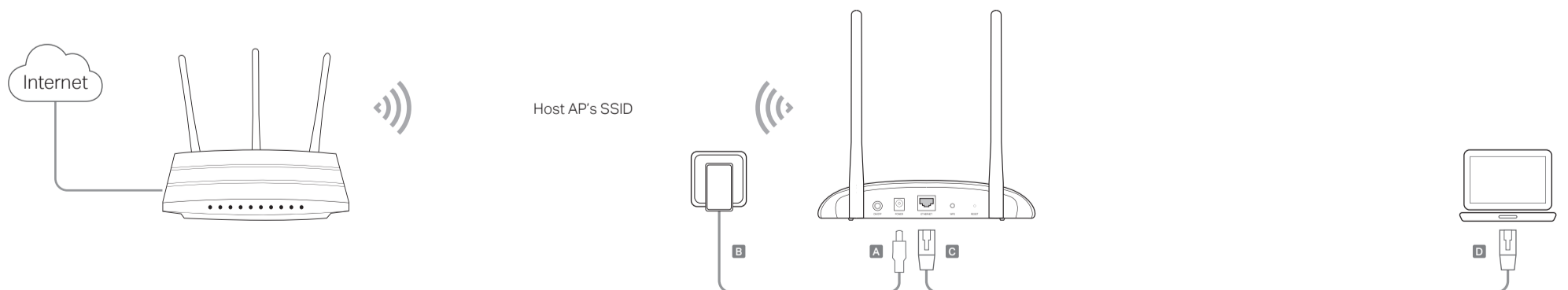


1. Connect the access point according to Step **A** and **B** in the diagram.
2. Power on the access point, wait until the Power (⏻) and Wireless (📶) LEDs are lit and stable, and use the default SSID and Password printed on the label of the access point to join its Wi-Fi network.
3. Launch a web browser and enter <http://tplinkap.net>. Then log in using **admin** (all lowercase) for both username and password.
4. Click **Quick Setup**, select **Repeater/Bridge** mode and click **Next**. Follow the step-by-step instructions to complete the configuration.

5. Relocate the access point to a suitable place. For details, please refer to FAQ > Q5.
6. Now, connect your wireless devices to the Wi-Fi network using the Host AP/TL-WA801ND 's SSID and password.

😊 **Enjoy!**

- **Client Mode** Connects your wired devices to a wireless network.

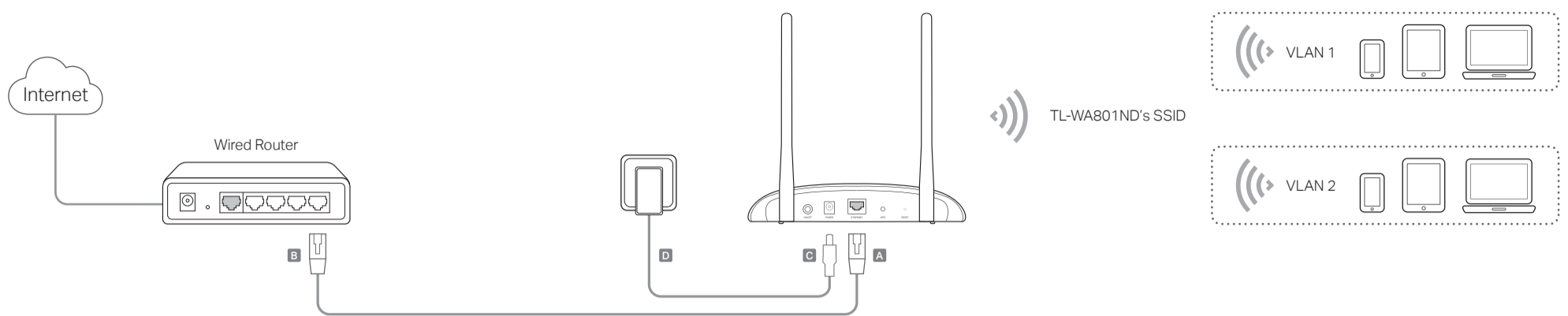


1. Connect the access point according to Step **A** to **D** in the diagram.
2. Power on the access point, wait until the Power (⏻) and Wireless (📶) LEDs are lit and stable, and use the default SSID and Password printed on the label of the access point to join its Wi-Fi network.
3. Launch a web browser and enter <http://tplinkap.net>. Then log in using **admin** (all lowercase) for both username and password.

4. Click **Quick Setup**, select **Client** mode and click **Next**. Follow the step-by-step instructions to complete the configuration.
5. Now, your wired connected devices can surf the internet.

😊 **Enjoy!**

• **Multi-SSID Mode** Creates multiple wireless networks to provide different security and VLAN groups.



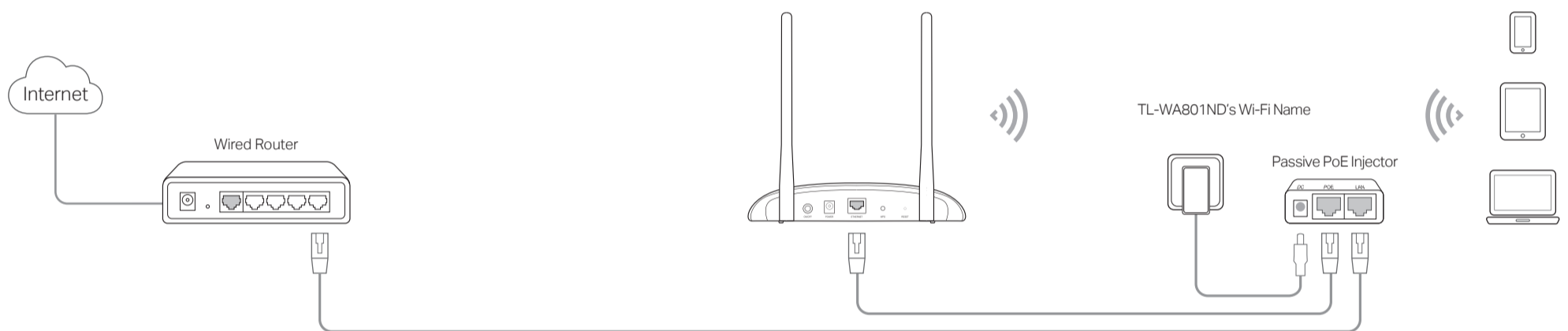
1. Connect the access point according to Step **A to D** in the diagram.
2. Power on the access point, wait until the Power (🔌) and Wireless (📶) LEDs are lit and stable, and use the default SSID and Password printed on the label of the access point to join its Wi-Fi network.
3. Launch a web browser and enter <http://tplinkap.net>. Then log in using **admin** (all lowercase) for both username and password.
4. Click **Quick Setup**, then select **Multi-SSID** mode and click **Next**. Follow the step-by-step instructions to complete the configuration.
5. Now, connect your wireless devices to the different Wi-Fi networks isolated by VLANs.

😊 **Enjoy!**

Power on via PoE Injector

Power the device with the included passive PoE injector when the access point is located far from a power outlet.

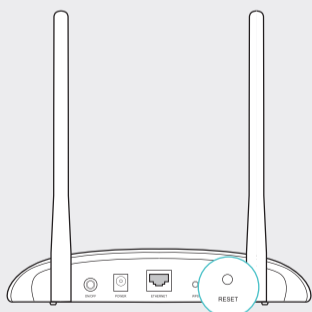
Note: The passive PoE injector supports a cable length up to 30 meters, but the value may vary due to the environment.



Frequently Asked Questions (FAQ)

Q1. How do I restore the access point to its factory default settings?

- With the access point powered on, use a pin to press and hold the **RESET** button until the Power LED starts blinking, and then release the button.



Note: Resetting the access point will clear all previous configurations, and the access point will reset to the default Access Point Mode.

Q2. What should I do if I cannot access the web management page?

- If the computer has a static IP address, change its settings to obtain an IP address automatically.
- Verify that <http://tplinkap.net> or <http://192.168.0.254> is correctly entered in the web browser.
- Use another web browser and try again.
- Reboot your access point and try again.
- Power off your host AP and enter <http://tplinkap.net> in the web browser to try again.

Q3. How do I recover the access point's web management password or retrieve my Wi-Fi password?

- If you forget the password required to access the access point's web management page, you must restore the access point to its factory default settings.
- If you forget your Wi-Fi password, but are able to log in to the web management page, log in and go to **Wireless > Wireless Security** to retrieve or reset your Wi-Fi password.

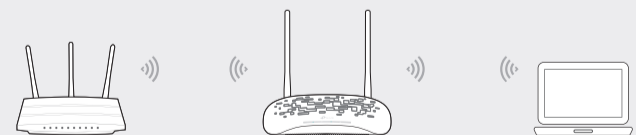
Q4. What should I do if my wireless network is not stable?

- This could be caused by interference. You can try the following methods:
 - Log in to the web management page. Go to **Wireless > Wireless Settings** and change your wireless channel to a different one.
 - Move the access point to a new location away from Bluetooth devices and other household electronics, such as cordless phones, microwaves, and baby monitors to minimize signal interference.

Q5. What can I do to maximize my signal strength in Repeater/Bridge mode?

When choosing a location to optimize wireless signal in Repeater/ Bridge mode, we recommend the following:

- **The Best Way is Halfway**
Generally, the ideal location for a repeater is about halfway between your wireless router and your wireless clients and make sure that the location you choose is within the range of the host router. If that is not possible, place it closer to your wireless router to ensure stable performance.



- **Less Obstacles, Better Performance**
Choose a location with less obstacles around that may block the signal between the access point and the host network. An open corridor or a spacious location is ideal.
- **Less Interference Provides More Stability**
Choose a location away from Bluetooth devices and other household electronics, such as cordless phones, microwaves, and baby monitors to minimize signal interference.