



# Quick Installation Guide

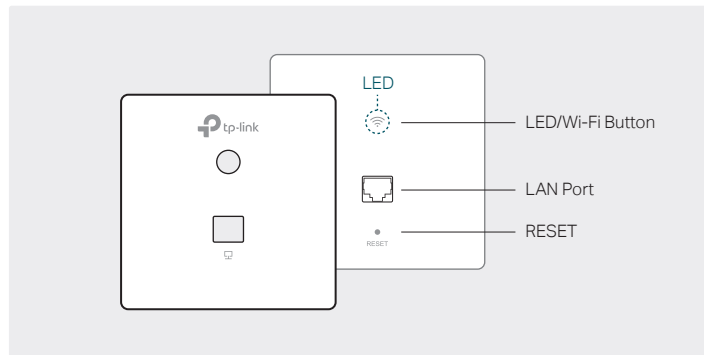
300Mbps Wireless N Wall-Plate Access Point

EAP115-Wall



## Hardware Overview

Front Panel



### LED/Wi-Fi Button

**LED:** When the EAP is working normally, press the button to turn on/off the LED.

**Wi-Fi:** In Standalone Mode, with the Wi-Fi Control enabled, press the button to turn on/off the Wi-Fi and LED simultaneously.

### LAN Port

Can be connected to a client device via an Ethernet cable.

### RESET

With the EAP powered on, press and hold the button for about 5 seconds until the LED flashes. The EAP will restore to factory default settings.

### LED Indicator

**On:** Working normally/Initializing.

**Off:** Working abnormally/Power off/LED is turned off.

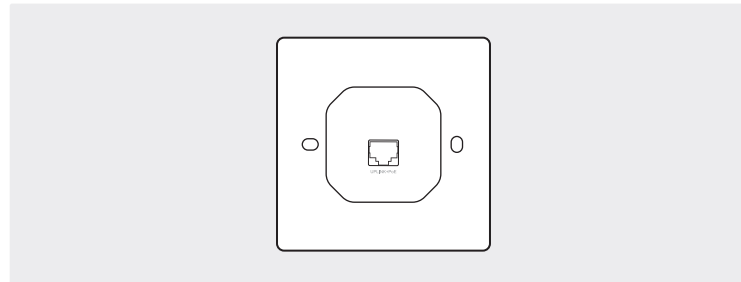
### Flashing:

**Initialization:** The LED flashes twice after initialization is complete.

**Upgrade:** The LED flashes once per second while upgrading.

**Reset:** The LED flashes five times in quick session during the reset. The EAP will then reboot.

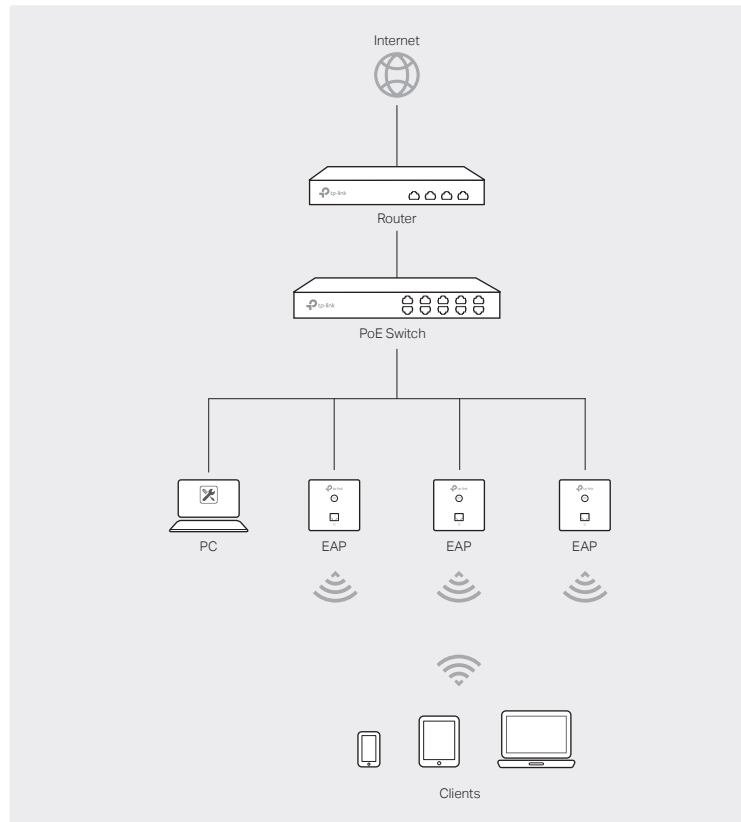
Rear Panel



UPLINK+PoE Port

Connected to a PSE (Power Sourcing Equipment), such as a PoE switch, for both data transmission and Power.

## 1 Network Topology



- The EAP115-Wall can only be powered by a PSE device, such as a PoE switch. Connect the PoE switch to the UPLINK+PoE port with an Ethernet cable.
- A DHCP server (typically a router) with DHCP function enabled is required to assign IP addresses to the EAPs and clients in your local network.

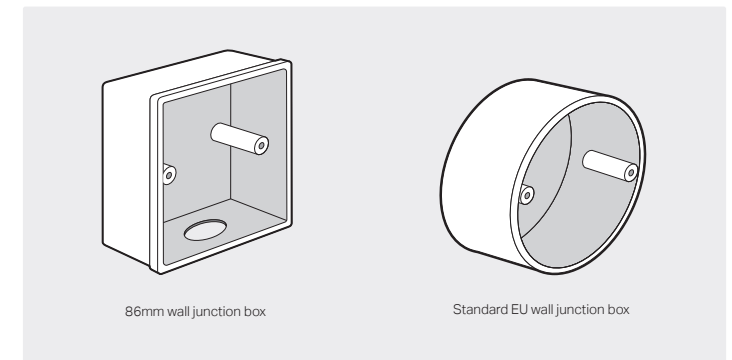
## 2 Pre-Installation Checklist

Before installation, be sure that you have the following items:

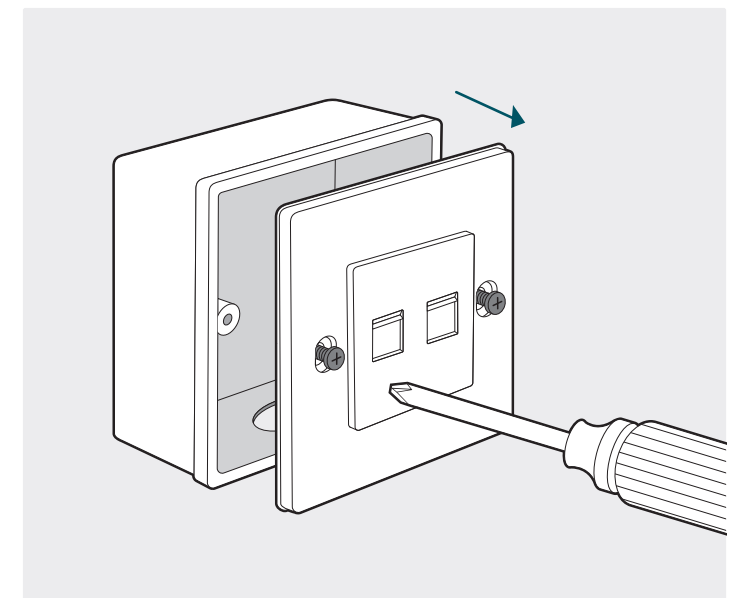
1. A pre-installed wall junction box
2. An RJ45 plug
3. A triangular screwdriver
4. A Phillips screwdriver
5. A PoE switch

## 3 Installation Steps

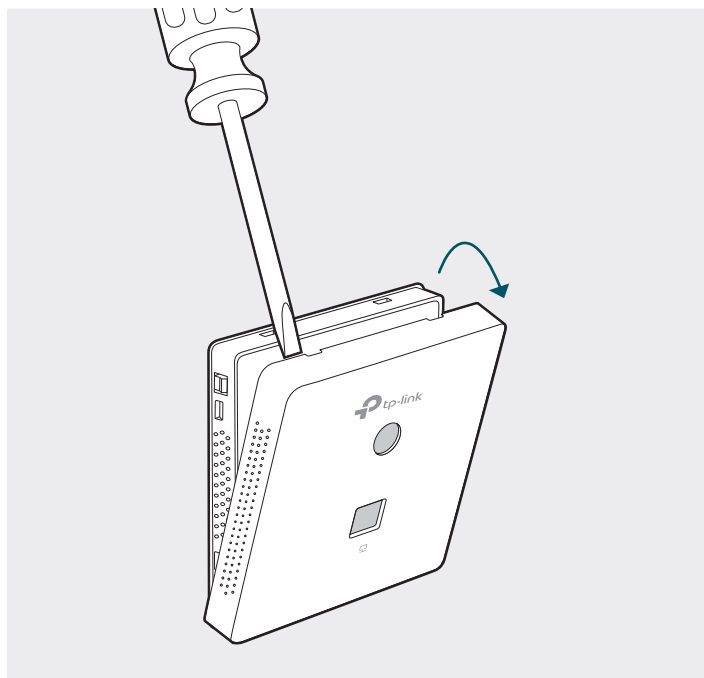
EAP115-Wall can be mounted into either an 86mm wall junction box or a standard EU wall junction box. The junction box should be pre-installed with a running-in-wall Ethernet cable connected to a PoE switch.



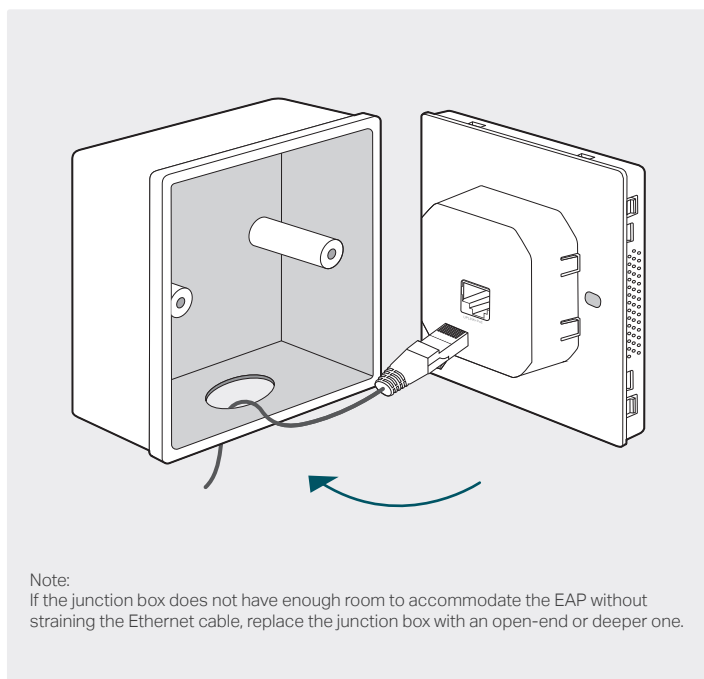
1. Detach the faceplate of the junction box with a Phillips screwdriver (demonstrated with an 86mm wall junction box).



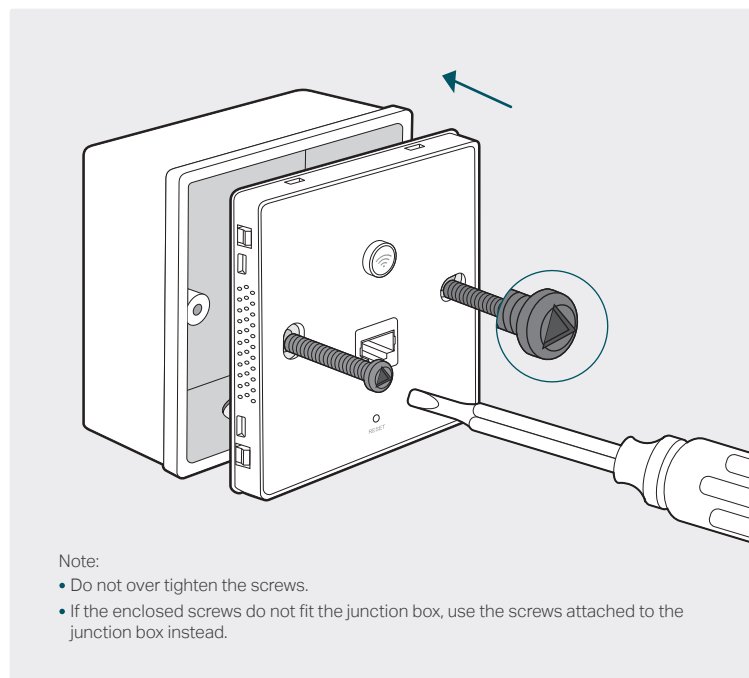
2. Detach the faceplate of the EAP with a screwdriver.



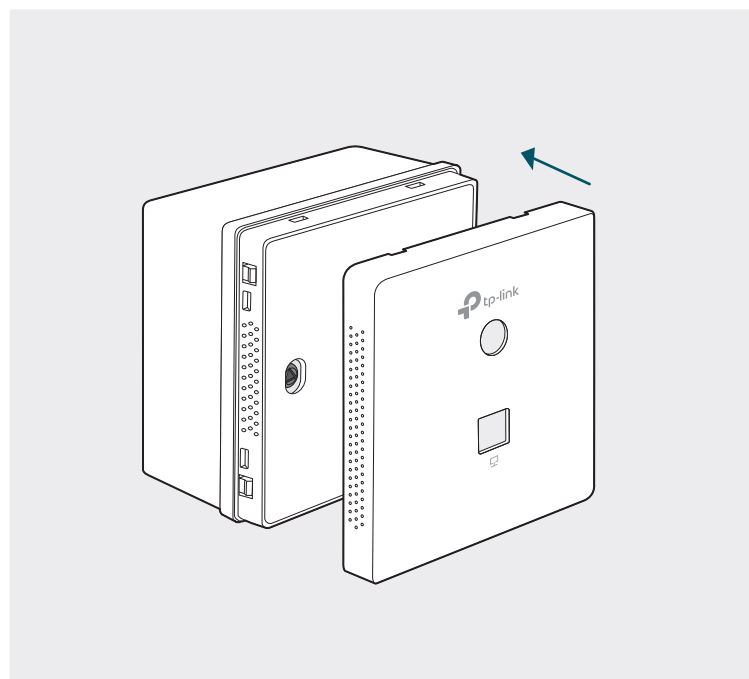
3. Connect the Ethernet cable inside the junction box to an RJ45 plug. Then connect the cable to the UPLINK+PoE port. Position the Ethernet cable to ensure it is not strained.



4. Insert the enclosed screws and tighten them with a triangular screwdriver to secure the mounting bracket.



5. Press the faceplate of the EAP back into position.



## 4 Software Configuration

The EAP supports two configuring options:

To configure and manage mass EAPs via centralized controller software, please refer to **Option 1**.

To configure a single EAP via a web browser directly, please refer to **Option 2**.

### Option 1: Via EAP Controller

#### Step 1: Installing EAP Controller

On the PC, download the EAP Controller installation file from <http://www.tp-link.com/en/download/EAP-Controller.html>. Run the file and follow the wizard to install the EAP Controller.

#### Step 2: Configuring EAP Controller

Launch the EAP Controller and follow the step-by-step instructions to complete the Quick Setup. After the wizard is finished, a login screen will appear.

#### Step 3: Logging in to EAP Controller

Enter the admin name and password you created and click **Sign In**. Then you can further configure the EAP Controller.

#### For More Configurations

You can now manage your wireless network and view network statistic using the EAP Controller. Refer to the EAP Controller User Guide for more information about configuring and using the EAP Controller.

### Option 2: Via Web Browser

#### Step 1: Connecting to the EAP Device

Power on the EAP and connect wirelessly by using the default SSID (format: TP-LINK\_2.4GHz/5GHz\_XXXXXX).

#### Step 2: Logging in to the EAP Device

Launch a web browser and enter <http://tplinkeap.net> in the address bar. Use **admin** for both Username and Password to log in.

#### Step 3: Configuring the EAP Device

Set up a new Username and Password for secure management purpose. Modify the wireless parameters and reconnect your wireless devices to the new wireless network.



For technical support and other information, please visit <http://www.tp-link.com/support>, or simply scan the QR code.

The products of TP-Link partly contain software code developed by third parties, including software code subject to the GNU General Public License ("GPL"). As applicable, the terms of the GPL and any information on obtaining access to the respective GPL Code used in TP-Link products are available to you in GPL-Code-Centre under (<http://www.tp-link.com/en/support/gpl/>). The respective programs are distributed WITHOUT ANY WARRANTY and are subject to the copyrights of one or more authors. For details, see the GPL Code and other terms of the GPL.