

Enlarge Your Ethernet Network

WDM Fast Ethernet Media Converter

MC111CS/MC112CS

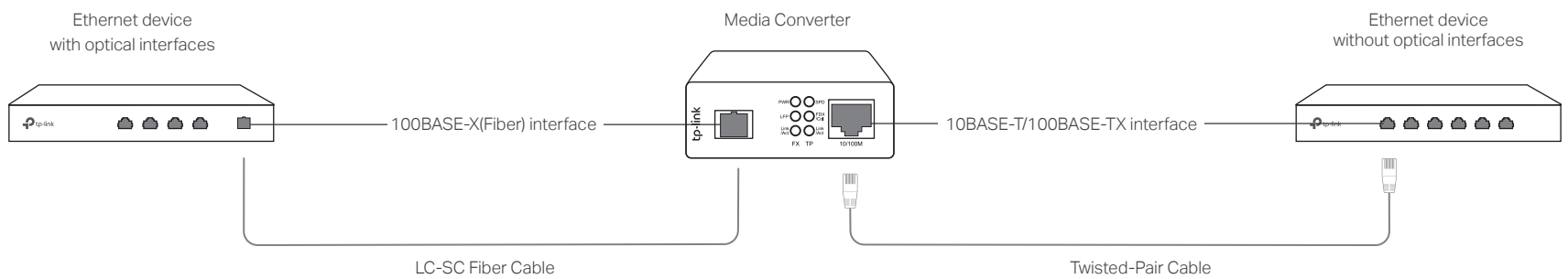


For more information, please visit our website:
<http://www.tp-link.com>

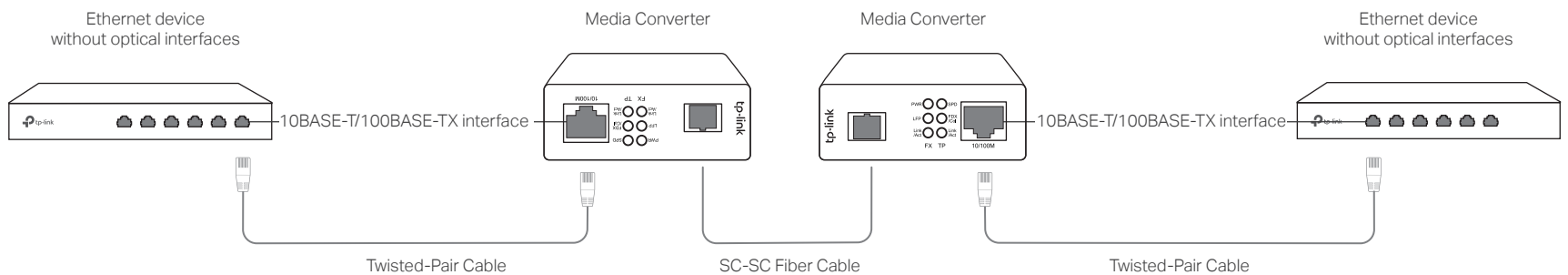
©2017 TP-Link 7106507661 REV4.0.1

Package Contents: Converter, Power Adapter, User Guide, Purchasing Guide

Scenario 1: Connect Devices with and without Optical Interfaces



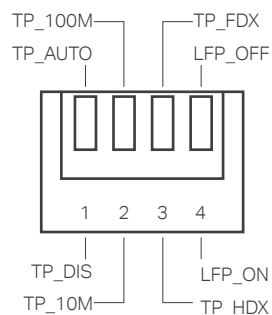
Scenario 2: Connect Devices without Optical Interfaces



Note:

1. Please use one MC111CS and one MC112CS to work properly.
2. With the LFP (Link Fault Pass Through) function enabled, when one side of the link fails, the media converter will disconnect the transmit link of the other side, thus minimizing the loss caused by link failure.

DIP Switches



- TP_AUTO/TP_DIS: Set the TP port speed to Auto-Negotiation/FORCE.
- TP_100M/TP_10M: Set the TP port's speed.
- LFP_ON/LFP_OFF: Enable or disable the LFP function.
- TP_FDX/TP_HDX: Set the duplex mode for the TP port as Full-Duplex/Half-Duplex.

You can set the speed and duplex via different switch combinations as shown below.

Switch Combination	Speed and Duplex
TP_AUTO, TP_100M, TP_FDX	TP: AUTO
TP_DIS, TP_100M, TP_FDX	TP: FORCE,100M, FULL-Duplex
(TP_DIS or TP_AUTO), TP_100M, TP_HDX	TP: FORCE,100M, HALF-Duplex
TP_DIS, TP_10M, TP_FDX	TP: FORCE,10M, FULL-Duplex
(TP_DIS or TP_AUTO), TP_10M, TP_HDX	TP: FORCE,10M, HALF-Duplex

Note:

1. It is recommended to leave the switches on TP_AUTO, TP_100M, TP_FDX and LFP_On to accommodate most situations.
2. Please reboot the converter after configuring the switches.

LED Explanation



PWR

On: Power on
Off: Power off



LFP

On: LFP function enabled
Off: LFP function disabled



Link/Act

FX

On: Valid link
Flashing: Transmitting or receiving data
Off: Invalid link



SPD

On: Running at 100Mbps
Off: Running at 10Mbps or no connection



FDX/Col

On: Operating in Half-Duplex mode
Off: Operating in Full-Duplex mode
Flashing: Data collision



Link/Act

TP

On: Valid link
Flashing: Transmitting or receiving data
Off: Invalid link

Specifications

General Specifications

Standards	IEEE 802.3, IEEE802.3u, IEEE802.3x
LED	PWR, SPD, LFP, FDX, Link/Act
Connector	1 SC fiber optic; 1 RJ45 jack
Twisted-Pair	10BASE-T: 2-pair UTP/STP of Cat. 3 or above (≤100m) 100BASE-Tx: 2-pair UTP/STP of Cat. 5 or above (≤100m)
Fiber	9/125μm single-mode fiber (≤20km)
Wave Length	For MC111CS: 1550nm TX, 1310nm RX For MC112CS: 1310nm TX, 1550nm RX
Power	External Power Adapter: 9V/0.6A

Environmental and Physical Specifications

Operation Temperature	0 °C to 40 °C (32 °F to 104 °F)
Storage Temperature	-40 °C to 70 °C (-40 °F to 158 °F)
Operation Humidity	10% to 90% RH non-condensing
Storage Humidity	5% to 90% RH non-condensing



For technical support and other information, please visit <http://www.tp-link.com/support>, or simply scan the QR code.

FCC STATEMENT

This equipment has been tested and found to comply with the limits for a Class A digital device, pursuant to part 15 of the FCC Rules. These limits are designed to provide reasonable protection against harmful interference when the equipment is operated in a commercial environment. This equipment generates, uses, and can radiate radio frequency energy and, if not installed and used in accordance with the instruction manual, may cause harmful interference to radio communications. Operation of this equipment in a residential area is likely to cause harmful interference in which case the user will be required to correct the interference at his own expense.

This device complies with part 15 of the FCC Rules. Operation is subject to the following two conditions:

- 1) This device may not cause harmful interference.
- 2) This device must accept any interference received, including interference that may cause undesired operation.

Any changes or modifications not expressly approved by the party responsible for compliance could void the user's authority to operate the equipment.

BSMI Notice

安全諮詢及注意事項

- 請使用原裝電源供應器或只能按照本產品注明的電源類型使用本產品。
- 清潔本產品之前請先拔掉電源線。請勿使用液體、噴霧清潔劑或濕布進行清潔。
- 注意防潮，請勿將水或其他液體灑到本產品上。
- 插槽與開口供通風使用，以確保本產品的操作可靠並防止過熱，請勿堵塞或覆蓋開口。
- 請勿將本產品置於靠近熱源的地方。除非有正常的通風，否則不可放在密閉位置中。
- 請不要私自打開機殼，不要嘗試自行維修本產品，請由授權的專業人士進行此項工作。

限用物質含有情況標示聲明書

產品元件名稱	限用物質及其化學符號					
	鉛 Pb	鎘 Cd	汞 Hg	六價鉻 CrVI	多溴聯苯 PBB	多溴二苯醚 PBDE
PCB	○	○	○	○	○	○
外觀	○	○	○	○	○	○

備考：“○”系指該項限用物質之百分比含量未超出百分比含量基準值。

CE Mark Warning

This is a class A product. In a domestic environment, this product may cause radio interference, in which case the user may be required to take adequate measures.



Продукт сертифіковано згідно з правилами системи УкрСЕПРО на відповідність вимогам нормативних документів та вимогам, що передбачені чинними законодавчими актами України.



Industry Canada Statement

CAN ICES-3 (A)/NMB-3(A)

EU declaration of conformity

TP-Link hereby declares that the device is in compliance with the essential requirements and other relevant provisions of directives 2014/30/EU, 2014/35/EU, 2009/125/EC and 2011/65/EU. The original EU declaration of conformity may be found at <http://www.tp-link.com/en/ce>

この装置は、クラスA情報技術装置です。この装置を家庭環境で使用すると電波妨害を引き起こすことがあります。この場合には使用者が適切な対策を講ずるよう要求されることがあります。 VCCI-A

Safety Information

- Keep the device away from water, fire, humidity or hot environments.
- Do not attempt to disassemble, repair, or modify the device.
- Do not use damaged charger or USB cable to charge the device.
- Do not use any other chargers than those recommended.
- Adapter shall be installed near the equipment and shall be easily accessible.
- Avoid using this product during an electrical storm. There may be a remote risk of electric shock from lightning.
- Do not point or stare directly into the beam or into the optical port of the transceiver when it is operating, as this can injure your eyesight.