



Installation Guide


2.4GHz 9dBi Directional Antenna

TL-ANT2409A

7106507663 REV2.0.1

COPYRIGHT & TRADEMARKS

Specifications are subject to change without notice.

 **tp-link** is a registered trademark of TP-Link Technologies Co., Ltd. Other brands and product names are trademarks or registered trademarks of their respective holders.

No part of the specifications may be reproduced in any form or by any means or used to make any derivative such as translation, transformation, or adaptation without permission from TP-Link Technologies Co., Ltd. Copyright © 2017 TP-Link Technologies Co., Ltd. All rights reserved.

Website: <http://www.tp-link.com>



For technical support and other information, please visit <http://www.tp-link.com/support>, or simply scan the QR code.



Specification

Electrical Properties:

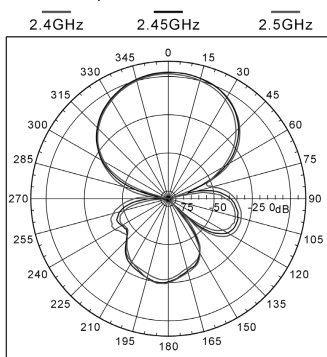
- Frequency Range: 2.4GHz to 2.5GHz
- Impedance: 50Ω Nominal
- VSWR: 1.92 Max.
- Return Loss: -10dB Maximum
- Radiation: Directional
- Gain: 9dBi
- Admitted Power: 1W

Physical Properties:

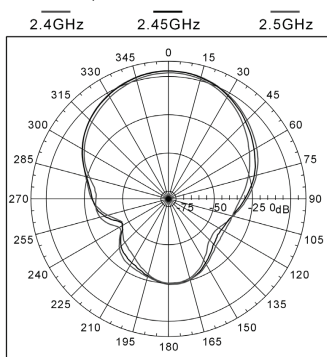
- Cable: CFD-200 Coaxial Cable
- Antenna Cover: ABS
- Operating Temp: -20°C to +65°C
- Storage Temp: -30°C to +75°C
- Color: Gray
- Connector: RP-SMA Plug (male)

Field Pattern

Far-field amplitude of MGS-DS-09-H-2-5.nsi



Far-field amplitude of MGA-DS-09-V-X2-4.nsi

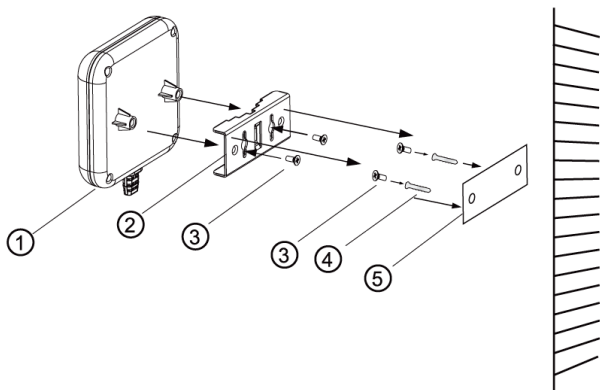


Installation

There are two methods to install the antenna:

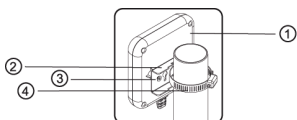
1. Wall Mounting

- ① Antenna 1 pc
- ② Holder 1 pc
- ③ Screws 4 pcs
- ④ Plastic Fixings 2 pcs
- ⑤ Sticker 1 pc

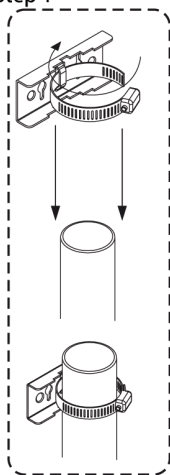


2. Pole Mounting

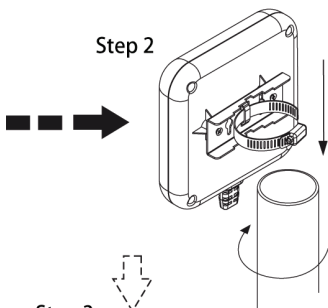
- ① Antenna 1 pc
- ② Holder 1 pc
- ③ Screws 2 pcs
- ④ Hose Clamp 1 pc



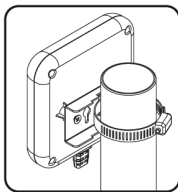
Step 1



Step 2



Step 3



Finish

