

Installation Guide

14-Slot Rackmount Chassis

TL-MC1400



For technical support and other information, please visit <http://www.tp-link.com/support>, or simply scan the QR code

7106507801 REV3.0.0

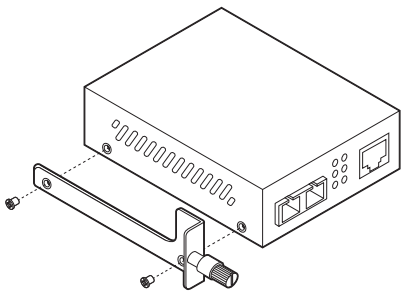
Package Contents: TL-MC1400, AC Power Cord, Fourteen Retainer-plates, Installation Guide

Installation

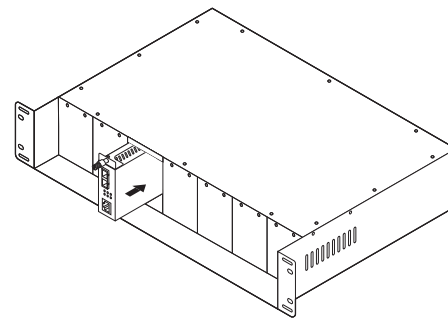
Step 1: Install the Media Converters in the Chassis

Note: It is recommended to use TP-Link media converters. Other vendors' products may be incompatible.

1. Tweak out the two screws on the media converter. Then install the retainer-plate (provided with the chassis) to the media converter using the screws removed from the media converter.

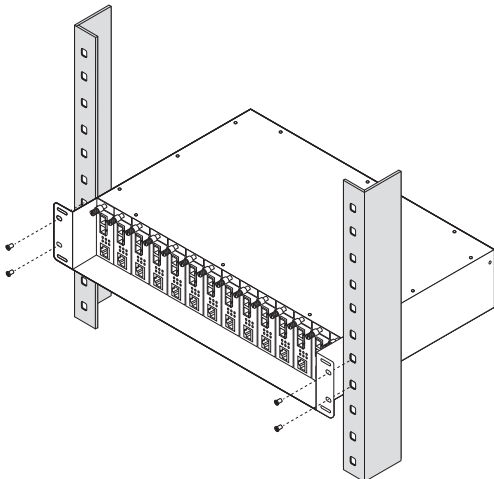


2. Remove the front metal plate of the slot on the chassis, then carefully slide the media converter into the slot and lock it tightly with the locking knob.



Step 2: Mount the Chassis in the Rack

Fasten the chassis to the rack with screws through the holes of the brackets on each side.

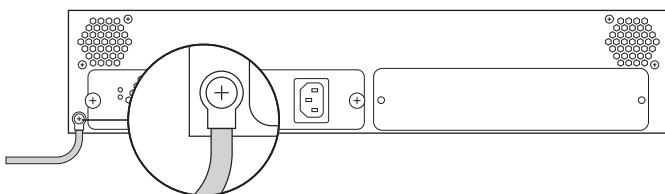


Note:

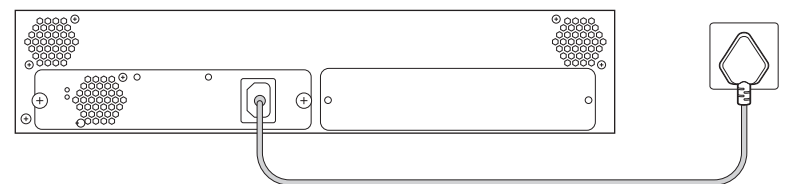
1. The chassis supports EIA standard-sized, 19-inch racks.
2. For security reasons, it is recommended to install the chassis as shown left.

Step 3: Power On

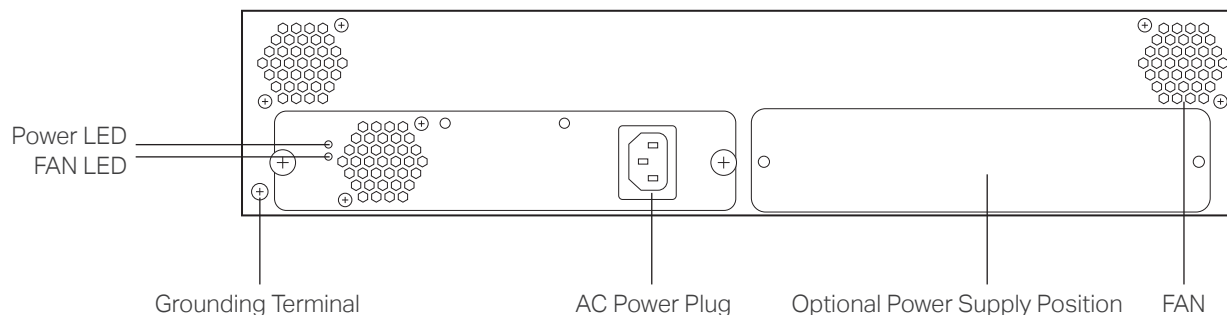
1. Electrically connect the Grounding Terminal on the rear panel of the chassis to ground via the ground cable.



2. Connect the chassis to the AC outlet using the provided power cord.



Panel Layout



Note: An optional AC or DC power supply is available for installation in the optional power supply position.

LED Explanation



Power

On: Power on
Off: Power off



FAN

On: The fans are working properly.
Off: The fans are working abnormally.

Specifications

Specifications

AC Power Supply	Input: 100-240V ~ 50/60Hz 2.5A (Max) Output: 12V, 8.5A (MAX) Ripple & Noise: < 120mV (0 °C to 45 °C) < 180mV (-10 °C to 0 °C)
-----------------	--

LED	Power, FAN
-----	------------

Dimensions (W×D×H)	482mm*309mm*86mm
--------------------	------------------

Hot-plug	Yes
----------	-----

Overload Protection	Yes
---------------------	-----

Environmental and Physical Specifications

Operation Temperature	0 °C to 40 °C (32 °F to 104 °F)
Storage Temperature	-40 °C to 70 °C (-40 °F to 158 °F)
Operation Humidity	10% to 90% RH non-condensing
Storage Humidity	5% to 90% RH non-condensing

FCC STATEMENT

This equipment has been tested and found to comply with the limits for a Class A digital device, pursuant to part 15 of the FCC Rules. These limits are designed to provide reasonable protection against harmful interference when the equipment is operated in a commercial environment. This equipment generates, uses, and can radiate radio frequency energy and, if not installed and used in accordance with the instruction manual, may cause harmful interference to radio communications. Operation of this equipment in a residential area is likely to cause harmful interference in which case the user will be required to correct the interference at his own expense.

This device complies with part 15 of the FCC Rules. Operation is subject to the following two conditions:

- 1) This device may not cause harmful interference.
- 2) This device must accept any interference received, including interference that may cause undesired operation.

Any changes or modifications not expressly approved by the party responsible for compliance could void the user's authority to operate the equipment.

Safety Information

- Keep the device away from water, fire, humidity or hot environments.
- Do not attempt to disassemble, repair, or modify the device.
- Avoid using this product during an electrical storm. There may be a remote risk of electric shock from lightning.



Продукт сертифіковано згідно з правилами системи УкрСЕПРО на відповідність вимогам нормативних документів та вимогам, що передбачені чинними законодавчими актами України.

EU declaration of conformity

TP-Link hereby declares that the device is in compliance with the essential requirements and other relevant provisions of directives 2014/30/EU, 2014/35/EU, 2009/125/EC and 2011/65/EU. The original EU declaration of conformity may be found at <http://www.tp-link.com/en/ce>

Industry Canada Statement

CAN ICES-3 (A)/NMB-3(A)

CE Mark Warning

This is a class A product. In a domestic environment, this product may cause radio interference, in which case the user may be required to take adequate measures.

この装置は、クラスA情報技術装置です。この装置を家庭環境で使用すると電波妨害を引き起こすことがあります。この場合には使用者が適切な対策を講ずるよう要求されることがあります。 VCCI-A

BSMI Notice

安全諮詢及注意事項

- 請使用原裝電源供應器或只能按照本產品注明的電源類型使用本產品。
- 清潔本產品之前請先拔掉電源線。請勿使用液體、噴霧清潔劑或濕布進行清潔。
- 注意防潮，請勿將水或其他液體潑灑到本產品上。
- 插槽與開口供通風使用，以確保本產品的操作可靠並防止過熱，請勿堵塞或覆蓋開口。
- 請勿將本產品置放於靠近熱源的地方。除非有正常的通風，否則不可放在密閉位置中。
- 請不要自行打開機殼，不要嘗試自行維修本產品，請由授權的專業人士進行此項工作。

限用物質含有情況標示聲明書

產品元件名稱	限用物質及其化學符號					
	鉛 Pb	鎘 Cd	汞 Hg	六價鉻 CrVI	多溴聯苯 PBB	多溴二苯醚 PBDE
PCB	○	○	○	○	○	○
外殼	○	○	○	○	○	○

備考: "○"系指該項限用物質之百分比含量未超出百分比含量基準值。

