

2.4GHz 8dBi Indoor Omni-directional Antenna TL-ANT2408CL

⦿ Features:

- Very easy to install, no software required
- 8dBi Omni-directional operation boosts your signal to a higher range
- RP-SMA Male connector, works with most indoor wireless AP/Router

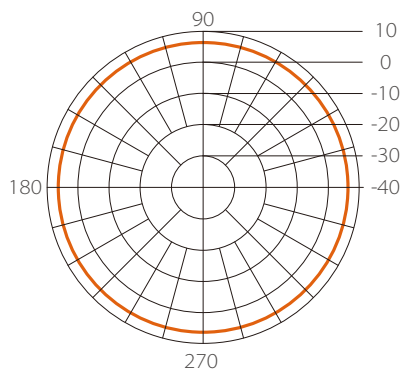
⦿ Description:

The TL-ANT2408CL 8dBi antenna is ideal for upgrading your wireless access points/routers. It is very easy to use, no configuration or software installation required.

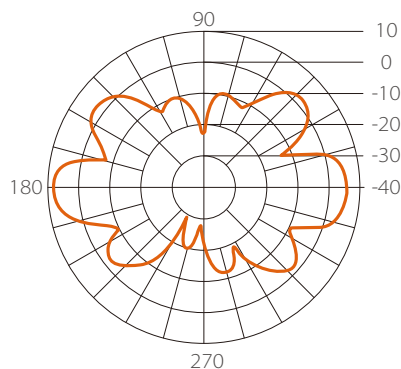


⦿ Radiation Patterns:

H-Plane Co-Polarization Pattern



V-Plane Co-Polarization Pattern



◎ Specifications:

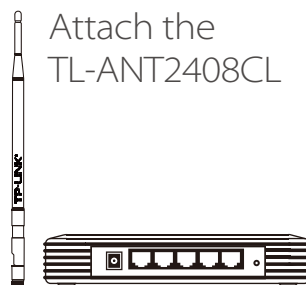
Frequency Range	2.4~2.4835GHz
Gain (Exclude Cable Loss)	8dBi
VSWR	1.92:1
HPBW/H(°)	360
HPBW/V(°)	15
Impedance	50 Ohms
Admitted Power	1W
Interfaces	RP-SMA Male
Polarization	Linear, Vertical
Operating Temperature	-20°C~65°C (-4°F~149°F)
Storage Temperature	-30°C~75°C (-22°F~167°F)
Dimensions (W x L)	13 x 294 mm
Operating Humidity	10%~90% non-condensing
Storage Humidity	5%~90% non-condensing
Standards	RoHS, WEEE

◎ Diagram:

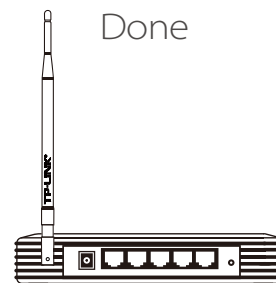
Detach the antenna from your device



Attach the TL-ANT2408CL



Done



◎ Related Products:

- Wireless Router (with Detachable Antenna)
- Wireless Access Point (with Detachable Antenna)
- Wireless Adapter (with Detachable Antenna)

◎ Optional Accessories:



3 Meters Antenna Extension Cable
TL-ANT24EC3S



5 Meters Antenna Extension Cable
TL-ANT24EC5S