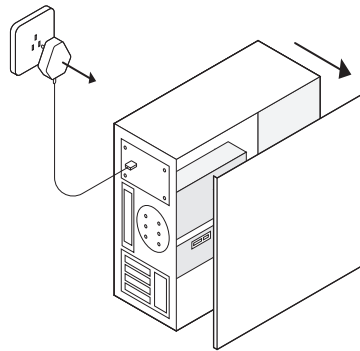


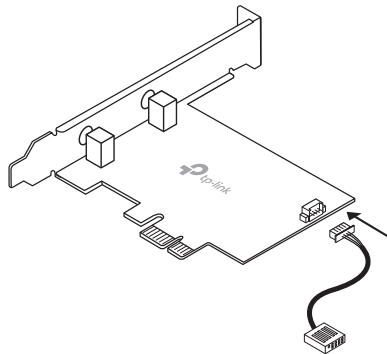
# 1 Connect to a Computer

## WLAN Bluetooth PCI Express Adapter

a. Turn off your computer, unplug the power cable then remove the case panel.

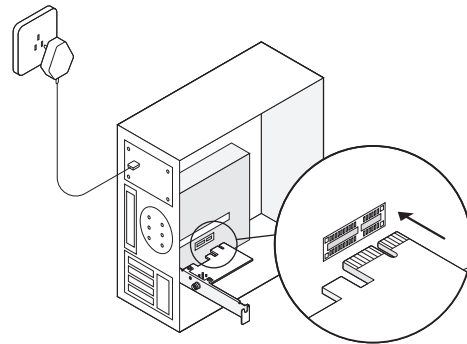


b. Connect the provided USB cable to the adapter.

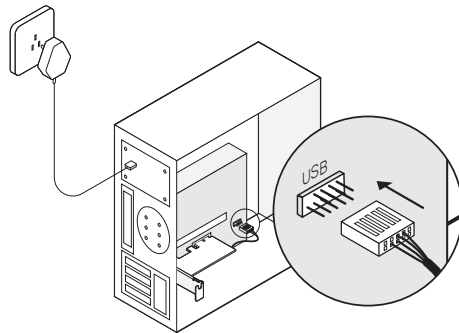


c. Locate an available PCIe X1 slot and carefully insert the adapter.

Note:  
If the bracket is not suitable for your computer, detach it from the adapter's board and replace it with the low-profile bracket.



d. Locate an available F\_USB connector and carefully plug the USB cable into it.



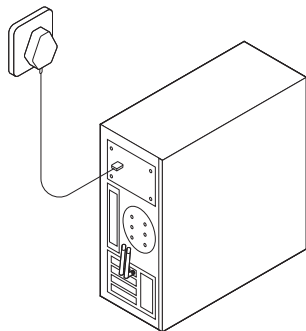
## 2 Install Drivers

- e. Connect the antenna(s) to the adapter.

Note:

To maximize performance, make sure the path between the antenna(s) and your router is clear.

- f. Replace the case panel, plug in the power cable and turn on your computer.





- a. Insert the CD and run the **Autorun.exe**.

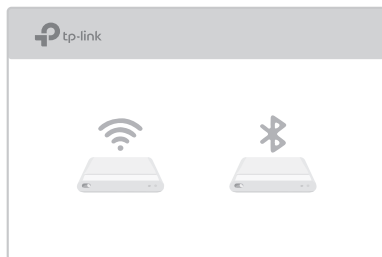
Note:

You can also check the new release and download the driver at <https://www.tp-link.com/support/download/>



- b. Install the Wi-Fi and Bluetooth drivers.

① **Wi-Fi:** Click  and follow the onscreen instructions to complete the Wi-Fi installation.

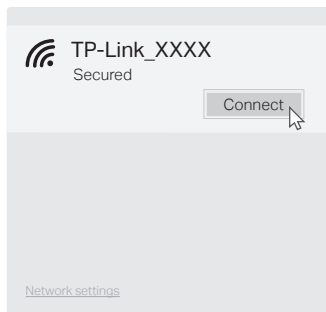
② **Bluetooth:** Click  and follow the onscreen instructions to complete the Bluetooth installation.




## 3 Join a Wireless Network

- a. Click the network icon (  or  ) on the taskbar.

- b. Select your Wi-Fi network, click **Connect**, and enter the password when prompted.



## 4 Pair With Bluetooth Devices

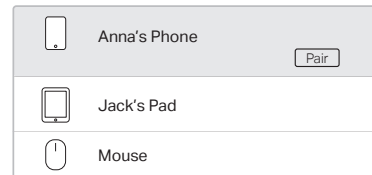
- a. Right click the  (Bluetooth) icon on the taskbar. If it's not displayed, turn on Bluetooth in your PC settings first.

- b. Select **Add a Bluetooth Device** or **Add a Device** to scan for available devices.

- c. Select your Bluetooth device from the list and follow the onscreen instructions to complete pairing.

Note:

Make sure your device's Bluetooth is enabled and discoverable.



## Support

For technical support, the user guide and other information, please visit <https://www.tp-link.com/support/>, or simply scan the QR code.



### Safety Information

- Keep the device away from water, fire, humidity or hot environments.
- Do not attempt to disassemble, repair, or modify the device.
- Do not use the device where wireless devices are not allowed.