



# Application Example of Omada Controller

---

## CHAPTERS

1. Basic Configuration
2. Advanced Settings



### This guide applies to:

Omada Controller 3.2.1.

A restaurant has a wireless network with three EAPs managed by the Omada Controller. The network administrator wants to :

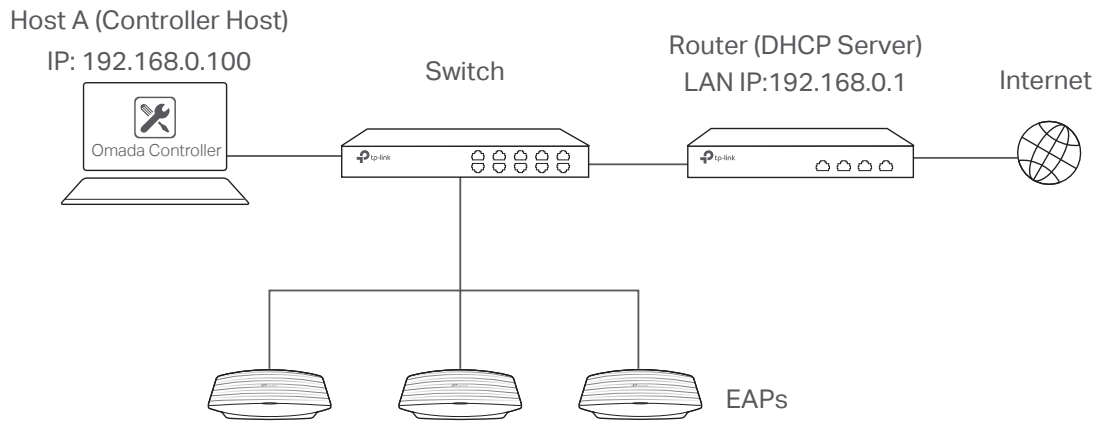
- Monitor the EAPs with the Map.
- Enable Portal function to drive customers' attention to the ads of the supermarket when customers attempt to access the network. The costumers need to use a simple password to pass the authentication.
- Allow the employees of the restaurant to access the network resources without portal authentication.
- Schedule the radio to operate only during the working time (8:00 am to 22:00 pm) in order to reduce power consumption.

Follow the steps below to achieve the requirements above.

# 1 Basic Configuration

Follow the steps below to do the basic configuration.

1. Connect the hardware by referring to the following topology.



2. Install the Omada Controller on Host A.
3. Launch the software and follow the instructions to complete some initial configurations.
4. Log into the management interface.
5. Adopt the pending EAPs.

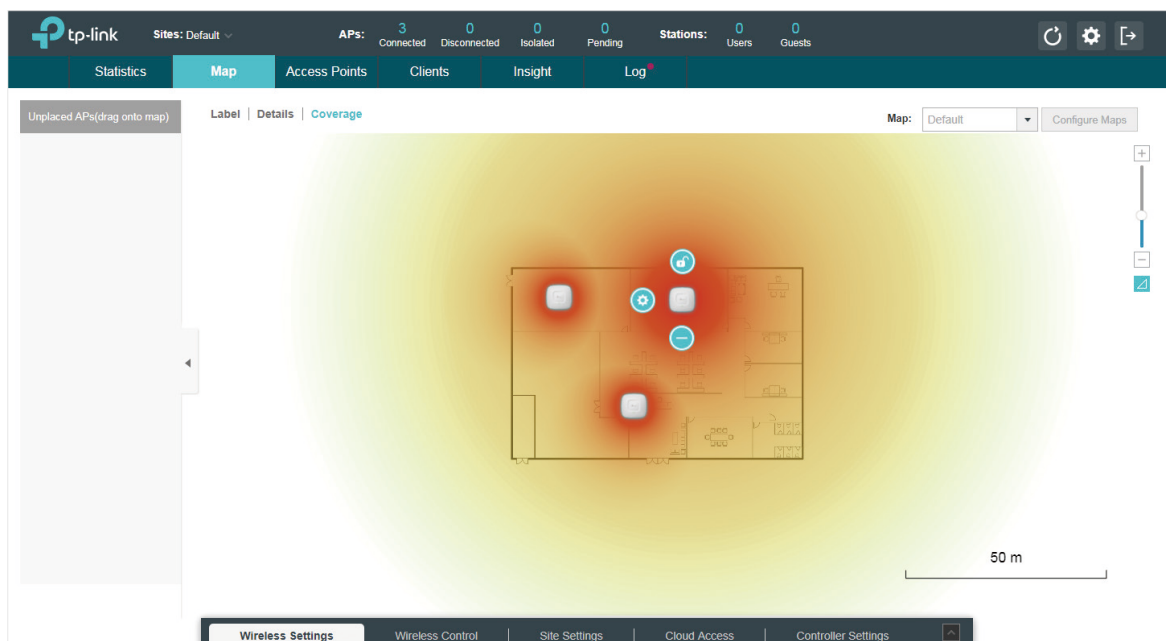
# 2 Advanced Settings

After the basic configuration, refer to the following content to meet the network administrator's requirements.

## 2.1 Monitor the EAPs with Map

Follow the steps below to create a map and monitor the EAPs with the map.

1. Go to the **Map**.
2. Import a local map and set the map scale.
3. Drag the EAPs to the appropriate locations on the map.
4. Click **Coverage** and you can see the representation of the EAPs' wireless coverage.



## 2.2 Configure Portal Authentication

Follow the steps below to configure Portal function.

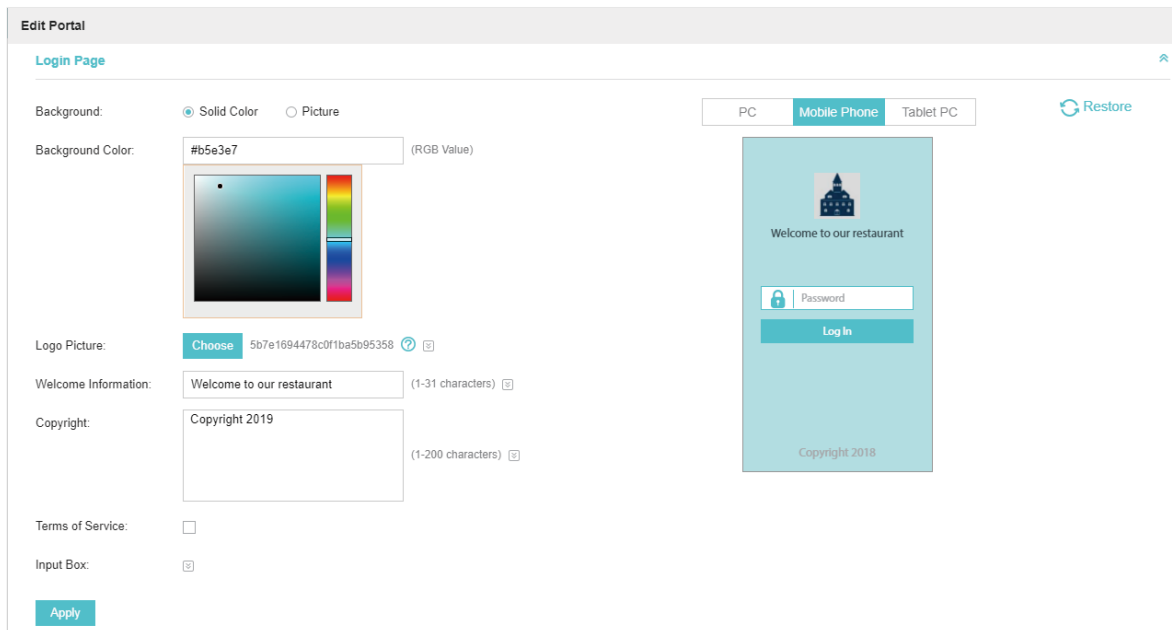
1. Go to **Wireless Settings > Basic Wireless Settings** and edit the SSID we created in the basic configuration.

To make it easier for customers to connect, change the Security Mode from **WPA-PSK** to **None**. Customers can connect to the EAPs without password and be redirected to the Portal Authentication where the correct password will be required.

2. Open the global configuration window and go to **Wireless Control > Portal**. Click **Add a New Portal**. The configuration window will pop up.
3. In the **Basic Info** section, complete the basic settings for the portal.

- 1) Specify a name for the portal.
- 2) Select an SSID for the portal.
- 3) Select the Authentication Type as Simple Password. Specify a simple password for the guests.

- 4) Select the **Authentication Timeout**. For example, 1 Hour is suitable for the customers at the restaurant.
  - 5) Enable the **Redirect** to drive the costumers to the restaurant's homepage after successful login. We can put some promotion information on the page.
4. In the **Login Page** section, configure the login page.



**Edit Portal**

**Login Page**

Background:  Solid Color  Picture

Background Color:  (RGB Value)

Logo Picture:  5b7e1694478c0f1ba5b95358

Welcome Information:  (1-31 characters)

Copyright:  (1-200 characters)

Terms of Service:

Input Box:

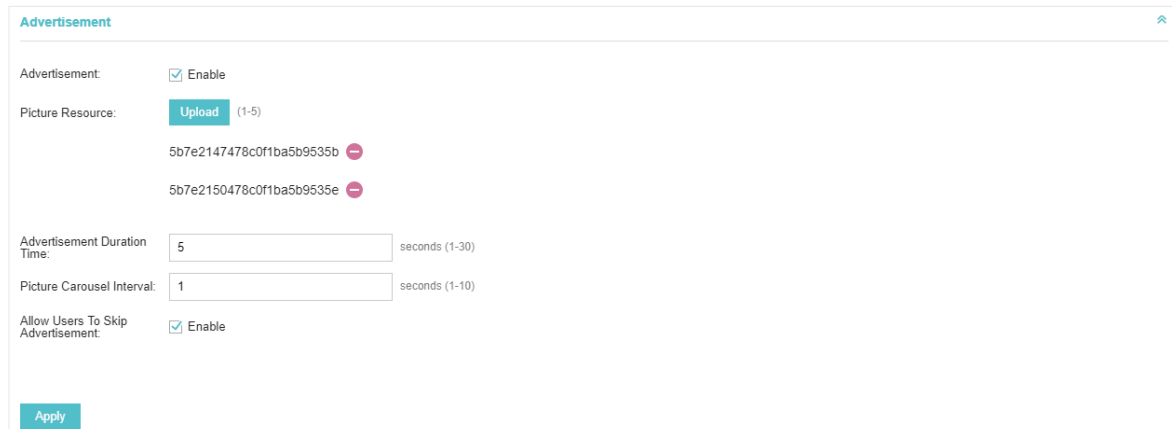
PC **Mobile Phone** Tablet PC

Welcome to our restaurant

Log In

Copyright 2018

5. In the Advertisement section, upload two pictures of the restaurant and set the related parameters.



**Advertisement**

Advertisement:  Enable

Picture Resource:  (1-5)

5b7e2147478c0f1ba5b9535b

5b7e2150478c0f1ba5b9535e

Advertisement Duration Time:  seconds (1-30)

Picture Carousel Interval:  seconds (1-10)

Allow Users To Skip Advertisement:  Enable

6. Click **Apply**.

## 2.3 Create a SSID for the Employees

We have created a SSID in the basic configuration for the customers. Here we need to create another SSID for the employees to allow them to access the network without portal authentication. In addition, the new SSID should be invisible for the customers.

Follow the steps below to create a SSID for the employees.

1. Open the global configuration window and go to **Wireless Settings > Basic Wireless Settings**.
2. Click **Add** to add a new SSID.

**Add SSID**

**Basic Info**

SSID Name:

Band:  2.4GHz  5GHz

Guest Network:  Enable ?

Security Mode:

Wireless Password:

**Advanced Settings**

**Apply**

Configure the parameters.

- 1) Disable the **SSID Broadcast** to hide this SSID from the customers.
- 2) Specify the **SSID Name**, **Security Mode** and **Wireless Password**. Let the employees manually enter the SSID name and password, and choose the security mode you set to access the network.
- 3) Click **Apply** to save the configuration.

## 2.4 Configure Scheduler

Follow the steps below to schedule the radio to operate only during the working time (from 8:00 to 22:00).

1. Open the global configuration window and go to **Wireless Control > Scheduler**.
  - 1) Add a profile.

**Add a Profile**
✕

Profile Name:

Apply

2) Add an item for the profile. The parameters are set as shown on the following screen.

**Add an Item**
✕

Day Mode:  Weekday  Weekend  Everyday  Custom

Mon  Tue  Wed  Thu  Fri  Sat  Sun

Time:  all day-24 hours

Start Time:  :

End Time:  :

Apply

2. Go to **Scheduler Association** tab.

Wireless Settings
**Wireless Control**
Site Settings
Cloud Access
Controller Settings

Access Control | Portal | Free Authentication Policy | MAC Filter | MAC Filter Association | Scheduler
**Scheduler Association**
QoS

Scheduler:  Enable

Association Mode:

Apply

2.4GHz 5GHz

ID	SSID Name	Band	Profile Name	Action	Setting
1	SSID1	2.4GHz	<input style="width: 80px;" type="text" value="Working-time on"/>	<input style="width: 60px;" type="text" value="Radio On"/>	<span style="background-color: #00a651; color: white; padding: 2px 5px; border-radius: 3px;">Apply</span>
2	SSID2	2.4GHz	<input style="width: 80px;" type="text" value="Working-time on"/>	<input style="width: 60px;" type="text" value="Radio On"/>	<span style="background-color: #00a651; color: white; padding: 2px 5px; border-radius: 3px;">Apply</span>

<< < 1 > >>
A total of 1 page(s) Page to: 
GO

1) Enable the function and select **Associated with SSID**. Click **Apply**.

2) In the **Profile Name** column of both SSIDs, select the profile we just created.

3) In the **Action** column of both SSIDs, select **Radio On**.

4) Click **Apply** in the **Setting** column of both SSIDs.

5) Select **5GHz** and do the same configurations as above.