




Installation Guide

14-Slot Rackmount Chassis

-  To ask questions, find answers, and communicate with TP-Link users or engineers, please visit <https://community.tp-link.com> to join TP-Link Community.
-  For technical support and other information, please visit <https://www.tp-link.com/support>, or simply scan the QR code.
-  If you have any suggestions or needs on the product guides, welcome to email techwriter@tp-link.com.cn.



© 2020 TP-Link 7106508812 REV3.1.0

Package Contents: TL-MC1400, AC Power Cord, Fourteen Retainer-plates, Installation Guide

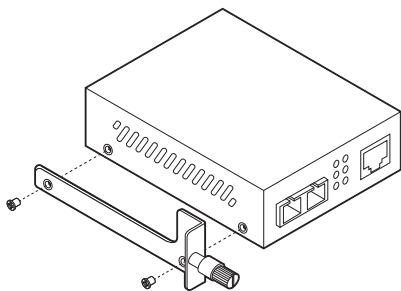
Installation

Step 1: Install the Media Converters in the Chassis

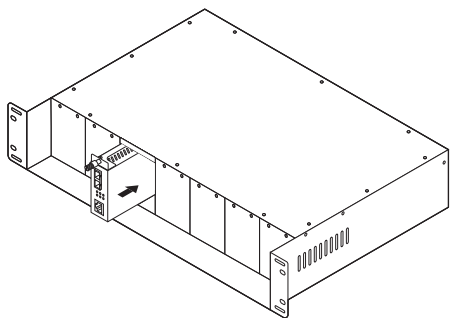
Note:

It is recommended to use TP-Link media converters. Other vendors' products may be incompatible.

1. Tweak out the two screws on the media converter. Then install the retainer-plate (provided with the chassis) to the media converter using the screws removed from the media converter.

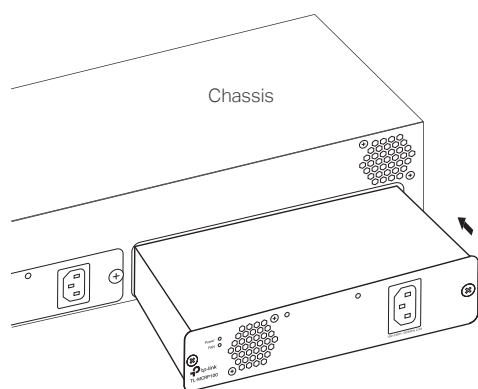


2. Remove the front metal plate of the slot on the chassis, then carefully slide the media converter into the slot and lock it tightly with the locking knob.



Step 2: (Optional) Install the Redundant Power Supply Module

Remove the protective cover on the power supply module slot of the chassis. Then gently push in the module and plug it solidly into the connector.

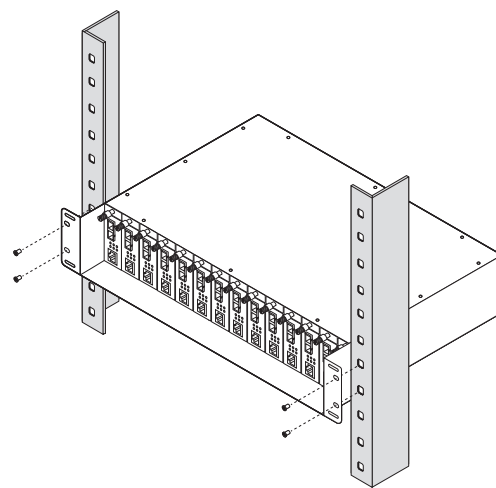


Step 3: Mount the Chassis on the Rack

Note:

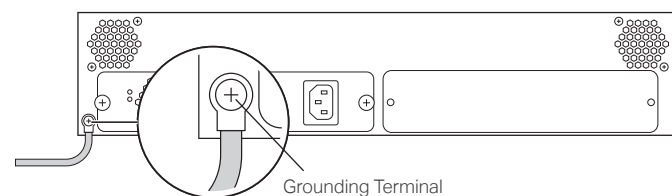
1. The chassis supports EIA standard-sized, 19-inch racks.
2. For security reasons, it is recommended to install the chassis as shown below.

Fasten the chassis to the rack with screws through the holes of the brackets on each side.

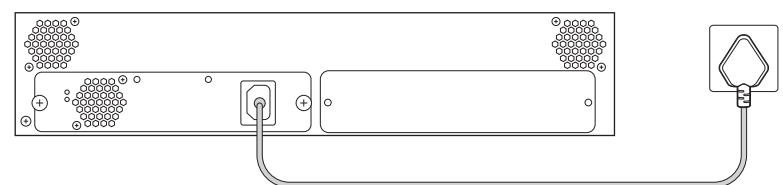


Step 4: Power On

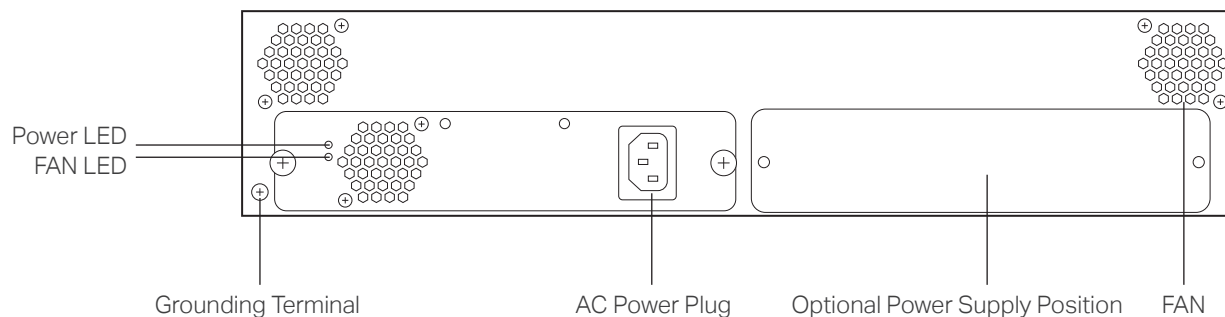
1. Electrically connect the Grounding Terminal on the rear panel of the chassis to ground via the ground cable.



2. Connect the chassis to the AC outlet using the provided power cord.



Panel Layout



Note: An optional AC or DC power supply is available for installation in the optional power supply position.

LED Explanation



Power

On: Power on
Off: Power off



FAN

On: The fans are working properly.
Off: The fans are working abnormally.

Specifications

Specifications

AC Power Supply	Input: 100–240 V ~ 50/60 Hz 1.8 A (Max) Output: 12 V, 6.25 A (Max) Ripple & Noise: < 120 mV (0 °C to 45 °C) < 180 mV (-10 °C to 0 °C)
LED	Power, FAN
Dimensions (W×D×H)	482 × 309 × 86 mm
Hot-swappable	Yes
Overload Protection	Yes

Environmental and Physical Specifications

Operation Temperature	0 °C to 40 °C (32 °F to 104 °F)
Storage Temperature	-40 °C to 70 °C (-40 °F to 158 °F)
Operation Humidity	10% to 90% RH non-condensing
Storage Humidity	5% to 90% RH non-condensing

Safety Information

- Keep the device away from water, fire, humidity or hot environments.
- Do not attempt to disassemble, repair, or modify the device. If you need service, please contact us.
- Avoid using this product during an electrical storm. There may be a remote risk of electric shock from lightning.

Please read and follow the above safety information when operating the device. We cannot guarantee that no accidents or damage will occur due to improper use of the device. Please use this product with care and operate at your own risk.

EU Declaration of Conformity

TP-Link hereby declares that the device is in compliance with the essential requirements and other relevant provisions of directives 2014/30/EU, 2014/35/EU, 2009/125/EC, 2011/65/EU and (EU)2015/863. The original EU declaration of conformity may be found at <https://www.tp-link.com/en/ce>.

