



Installation Guide

2x2 MIMO Omni Antenna

TL-ANT2410MO

Contents

Introduction	1
Specifications	1
Safety Notice	2
Package Contents	2
Installation Requirements	3
Hardware Overview	3
Hardware Installation	4

Introduction

The TL-ANT2410MO, 2.4GHz 10dBi 2x2 MIMO Omni Antenna, can be used together with the outdoor wireless Base Station WBS210 to achieve a stable omnidirectional signal transmission.

Specifications

Electrical Specifications TL-ANT2410MO

Frequency Range	2.35 to 2.55GHz
Gain	10dBi
VSWR	1.85 Max
HPOL Beamwidth	360°
VPOL Beamwidth	360°
Elevation Beamwidth	13°
Electrical Downtilt	4°
F/B Ratio	24dB Min
Polarization	Horizontal & Vertical
Impedance	50Ω
Connector	RP-SMA

Mechanical Specifications

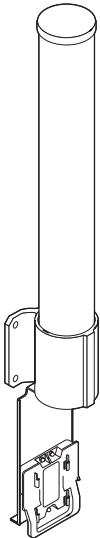
Antenna Dimension	Φ76×800mm
Weight	2.0Kg
Rated Wind Velocity	241Km/h
Mounting	Pole Mount

Safety Notice

Heed all warnings:

- Mount the antenna at a safe location, far away from power lines, lamp posts, and other electrical cables.
- Do not mount the antenna in the rain or thunderstorm.
- Avoid using this product during an electrical storm. There may be a remote risk of electric shock from lightning.
- For your own safety, please seek a qualified service technician for assistance.

Package Contents



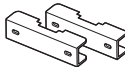
Antenna



Bolts with Nut and Lock Washer Assemblies (M8×110, Qty.4)



RF Cables (Qty.2)



Pole-mount Clamps (Qty. 2)

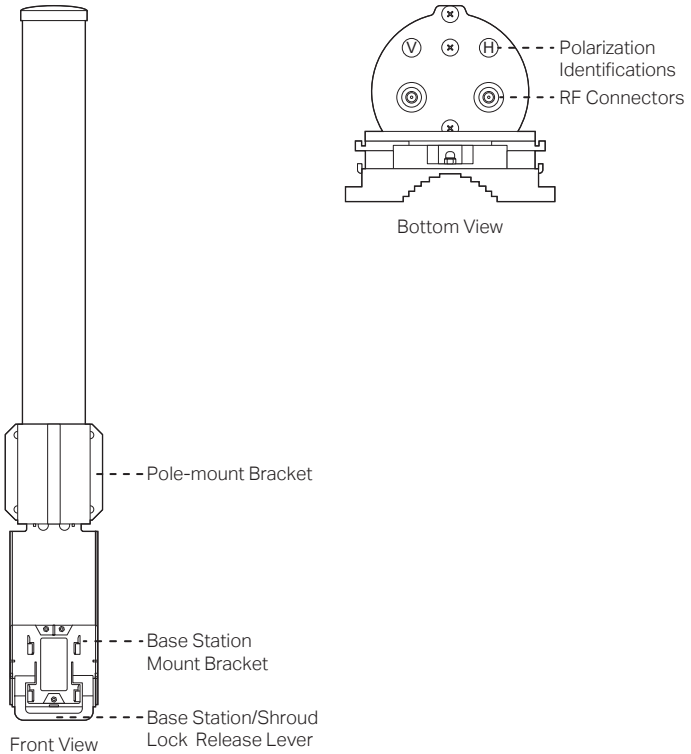


Installation Guide

Installation Requirements

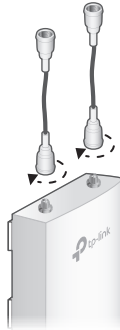
- Outdoor Wireless Base Station (sold separately)
- Wrenches

Hardware Overview



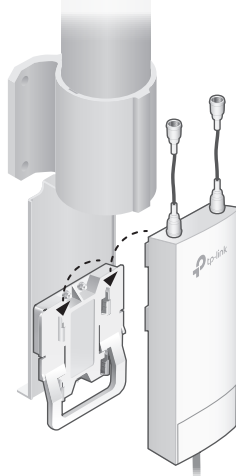
Hardware Installation

1. Attach the RF Cables to the Base Station.

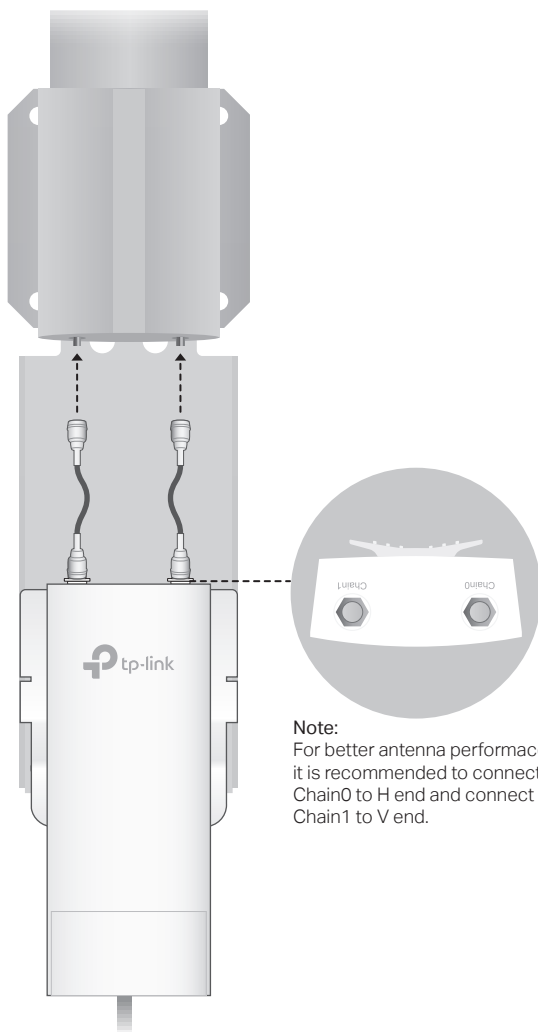


2. Attach the Base Station to the Base Station Mount Bracket as follows:

- a. Align the mounting tabs on the back of the Base Station with the four mounting slots on the Base Station Mount Bracket.
- b. Slide the Base Station down until it is locked into place.

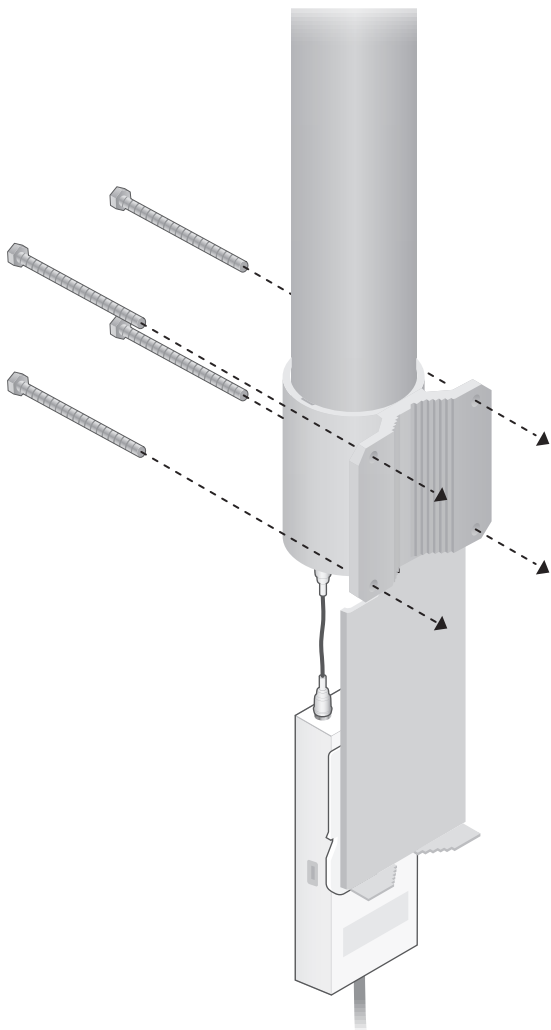


3. Connect the other ends of the RF Cables to the RF Connectors on the antenna as shown below.



Note:
For better antenna performance,
it is recommended to connect
Chain0 to H end and connect
Chain1 to V end.

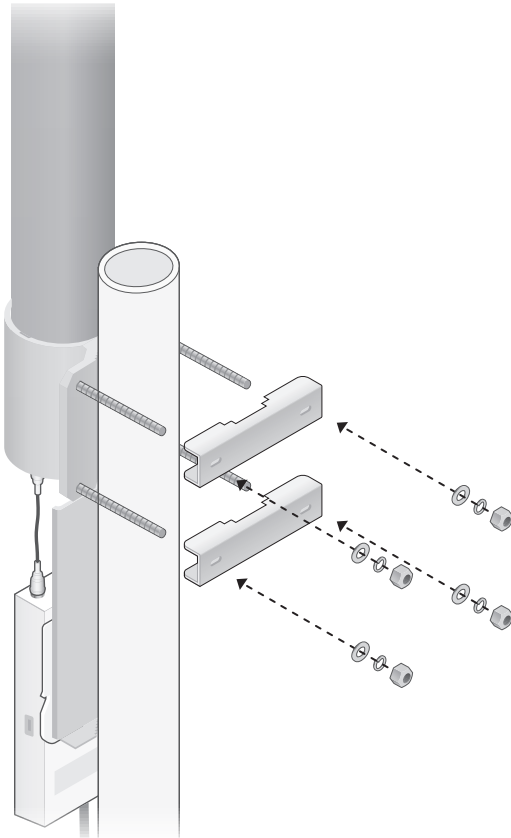
4. Insert the four Bolts into the Pole-mount Bracket of the antenna.



5. Attach the Pole-mount Bracket and Pole-mount Clamps to the top of the pole using four M8x110 Bolts with Nut and Lock Washer Assemblies.
 - a. Slide a Pole-mount Clamp over each pair of Bolts.
 - b. Secure each Pole-mount Clamp with Nuts and Washers.
 - c. Tighten the bolt and nuts assemblies.

Note:

- Part of the signal will be blocked by the pole if attaching the antenna to a lower point of the pole.
- Pole diameter ranges from 30mm to 76mm.





For technical support and other information, please visit <http://www.tp-link.com/support>, or simply scan the QR code.