



User Guide

2.4GHz 14dBi Directional Antenna

TL-ANT2414A

Specification

Electrical Properties:

- Frequency Range: 2.4GHz to 2.5GHz
- Impedance: 50Ω Nominal
- VSWR: 1.92 Max.
- Return Loss: -10dB Maximum
- Radiation: Directional
- Gain: 14dBi
- Admitted Power: 1W

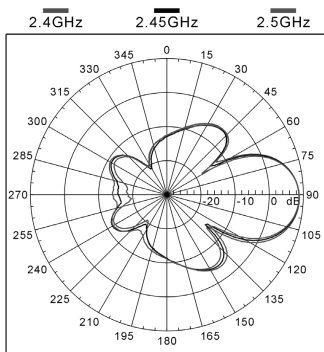
Physical Properties:

- Cable: CFD-200 Coaxial Cable
- Antenna Cover: ABS
- Operating Temp: -20°C to 65°C
- Storage Temp: -30°C to 75°C
- Color: Gray
- Connector: RP-SMA Plug (male)

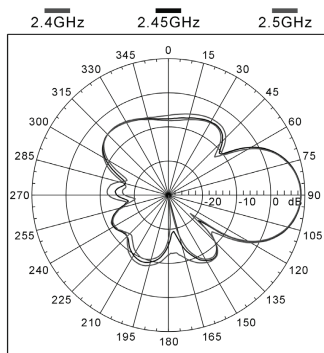
Website: <http://www.tp-link.com>

Field Pattern

Far-field amplitude of Golf-V14.nsi



Far-field amplitude of Golf-H14.nsi

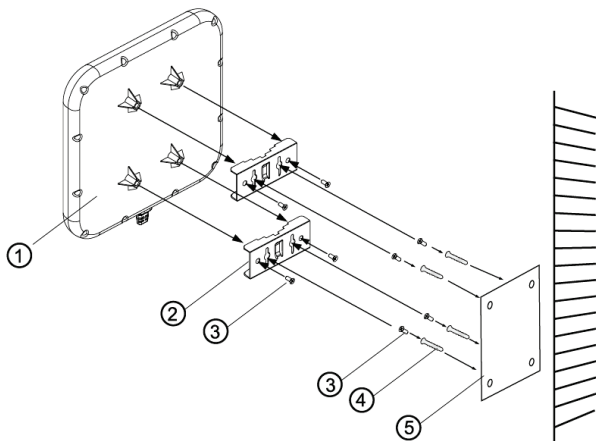


Installation

There are two methods to install the antenna:

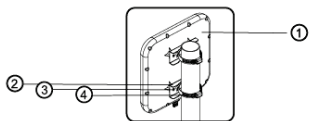
1. Wall Mounting

- ① Antenna 1 pc
- ② Holders 2 pcs
- ③ Screws 8 pcs
- ④ Plastic Fixings 4 pcs
- ⑤ Sticker 1 pc

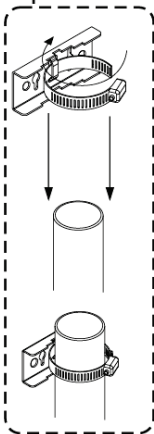


2. Pole Mounting

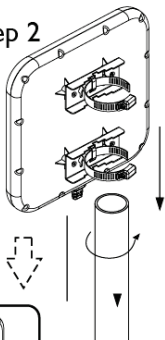
- ① Antenna 1 pc
- ② Holders 2 pcs
- ③ Screws 4 pcs
- ④ Hose Clamps 2 pcs



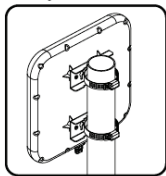
Step 1



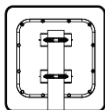
Step 2



Step 3



Finish



EAC



For technical support and other information,
please visit <http://www.tp-link.com/support>, or
simply scan the QR code.