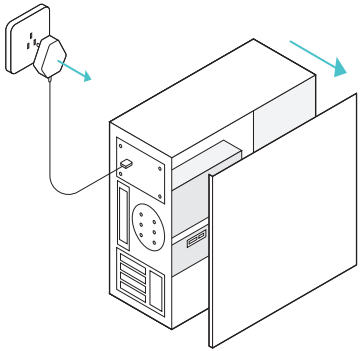


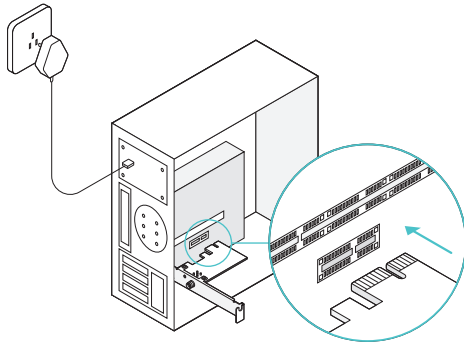
1 Connect to a Computer

a. Unplug the power cable and remove the case panel.

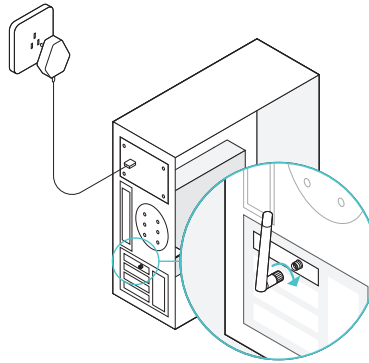


b. Locate an available PCI-E slot and carefully insert the adapter.

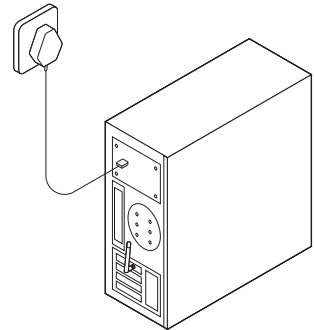
Note:
If the bracket is not suitable for your computer, detach it from the adapter's board and replace it with the low-profile bracket provided.



c. Connect the antenna to the adapter.



d. Replace the case panel, plug in the power cable and turn on your computer.



2 Install Driver

- a. Insert the CD and run the **Autorun.exe**.

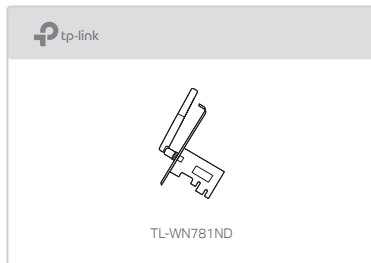
Note:

You can also download the driver from the product's Support page at www.tp-link.com.



- b. Select **TL-WN781ND** and follow the instructions to complete the installation.

Note:

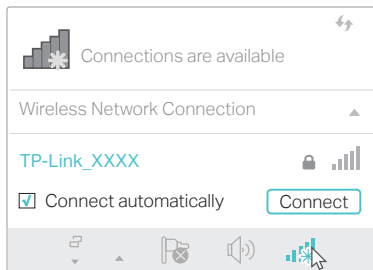
If you can't install the driver successfully, disable the antivirus software and firewall, then try again.



3 Join a Wireless Network

- a. Click the network icon ( or ) on the taskbar.

- b. Select your Wi-Fi network, click **Connect**, and enter the password when prompted.



For detailed instructions, please refer to the User Manual from this product's Support page at www.tp-link.com.



For technical support and other information, please visit <http://www.tp-link.com/support>, or simply scan the QR code.

