



# 300Mbps Wireless N Gigabit Ceiling Mount Access Point

## EAP120

### ▣ Highlights

- Wireless N speed up to 300Mbps
- Clustering function greatly simplified business wireless network management, to easy manage up to 24 EAP120
- Supports PoE (802.3af) for convenient installation
- Ceiling mounting design with chassis make it easy to deploy on a wall or ceiling
- Captive portal provides one convenient method of authentication for Wi-Fi guests
- Multi-SSID divides multiple wireless networks for different users
- Enterprise class Wi-Fi security help to decrease network security threats.
- Gigabit ethernet port enables bandwidth-intensive application or multimedia transferring

**Standards**

- IEEE 802.11b/g/n
- IEEE 802.3af

**Functionality**

- Multi-SSID
- Load Balance
- Wireless Schedule
- QoS (WMM)
- Automatic RF Management
  - Automatic Channel Assignment
  - Transmission Power Adjustment

**Security**

- Captive Portal Authentication
- Wireless MAC Address Filtering
- Isolation between Clients
- SSID to VLAN Mapping
- Rogue AP Detection
- 802.1X Support
- WEP, WPA/WPA2-PSK, WPA/WPA2-Enterprise Encryption

**Hardware**

- 1 Gigabit Ethernet Port
- 1 Console Port
- 2\*4dBi Internal Antennas
- Dimensions: 7.1\*7.1\*1.9 in. (180\*180\*47.5mm)



Details:<http://www.tplink.com/en/Support/>  
 German/Austrian/Swiss users are not included



# 300Mbps Wireless N Gigabit Ceiling Mount Access Point

## EAP120

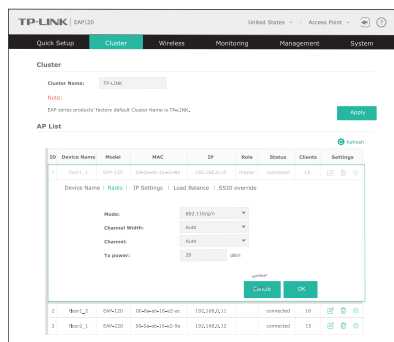
The TP-LINK's EAP120 business Access Point provides a flexible, easy-to-deploy, manageable and robust security business-class wireless network solution. Simple mounting design to easily mount to a wall or ceiling. WLAN configuration and management are simplified through clustering function and centralized management software. EAP120 also features cluster functionality, centralized management software, captive portal and auto RF management, making it ideal for the high-density, intensive demanding businesses environment, include campus, hotels, malls and offices.

### Centralized WLAN Management

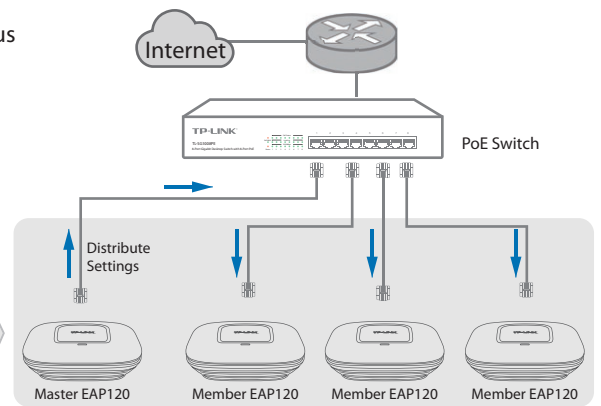
The clustering functionality allows users to manage up to 24 EAP120s and configure the WLAN settings in one centralized place. A master EAP120 will be automatically selected, enabling Network Administrators to easily manage all other EAP120s in the cluster via the master AP's web user interface.

Conveniently implement the following tasks:

- Centralized WLAN configuration
- Centralized firmware update
- Real-time monitoring of the wireless status



Master EAP120 - User Interface



Clustering

### Captive Portal Authentication

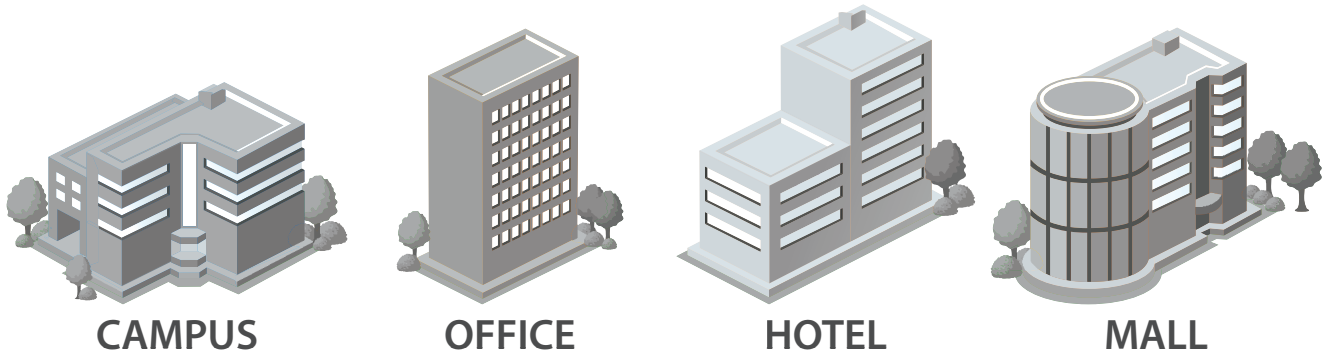
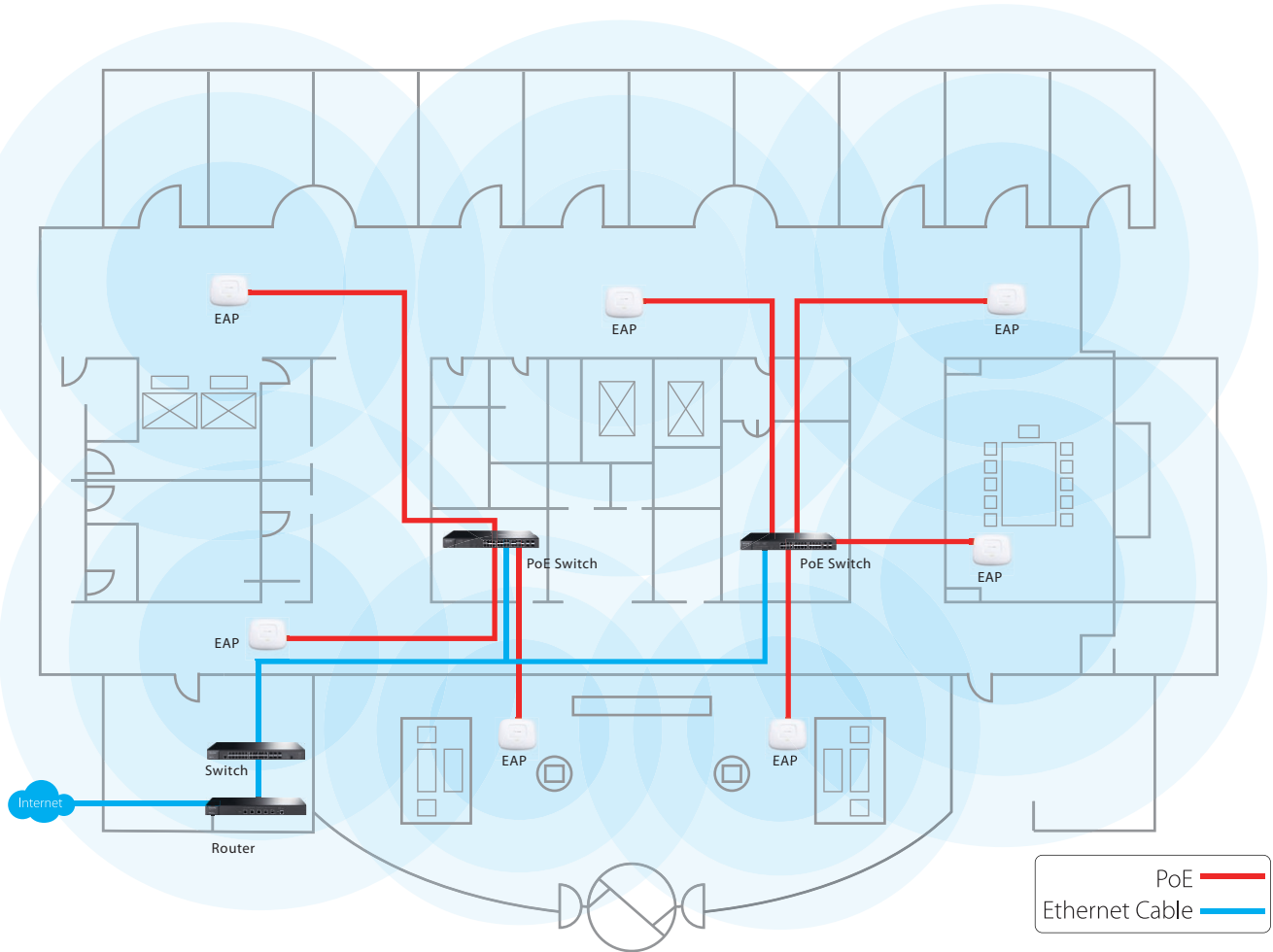
Captive Portal allows administrators to control wireless access by authentication process. Network users need to agree to an acceptable use policy administrators set up, or enter a user ID and password which must be validated against a database of authorized users.



▣ **Typical Applications**

EAP120 is specially designed for the high-density, intensive demanding businesses environment, include campus, hotels, malls and offices.

## WLAN Solution for Hotel as an Example



**Specifications**

MODEL	EAP120	EAP220
Name	300Mbps Wireless N Gigabit Access Point	N600 Wireless Dual Band Gigabit Access Point
<b>MAIN DESIGN</b>		
LAN Interface	Gigabit Ethernet (RJ-45) Port *1	
Wireless Frequency	2.4GHz	2.4GHz & 5GHz
Wi-Fi Standards	IEEE 802.11b/g/n	IEEE 802.11a/b/g/n
Maximum Data Rate	Up to 300 Mbps	Up to 300+300 Mbps
Internal Antennas	2* 4dBi	4* 4dBi
Max Rf Transmit Power <sup>1</sup>	23dBm	2.4GHz: 23dBm 5GHz: 20dBm
Power over Ethernet (PoE)	IEEE 802.3af	IEEE 802.3af
<b>CENTRALIZED MANAGEMENT</b>		
Cluster		●
Max APs in One Cluster		24
EAP Controller Software <sup>2</sup>		●
<b>SECURITY</b>		
Captive Portal Authentication		●
Wireless MAC Address Filtering		●
Wireless Isolation between Clients		●
SSID to VLAN Mapping		●
Rogue AP Detection		●
WEP Encryption		64/128/152-bit
WPA/WPA2-Personal Encryption		●
WPA/WPA2-Enterprise Encryption		●
802.1X Support		●
<b>WIRELESS FUNCTION</b>		
Multiple SSIDs	8	16 (8 on each radio)
Enable/Disable Wireless Radio		●
Automatic Channel Assignment		●
Transmit Power Control		Adjust Transmit Power on dBm
QoS(WMM)		●
Load Balance		●
Wireless Schedule		●
Wireless Statistics		Based on SSID/AP/Client
<b>SUPPORTED DATA RATES</b>		
802.11n	6.5 Mbps to 300 Mbps (MCS0 - MCS15, HT 20/40)	
802.11g	6, 9, 12, 18, 24, 36, 48, 54 Mbps	
802.11b	1, 2, 5.5, 11 Mbps	
802.11a	6, 9, 12, 18, 24, 36, 48, 54 Mbps	

<sup>1</sup> Maximum transmit power is limited by local regulatory settings

<sup>2</sup> EAP Controller Software is coming soon, which can manage hundreds of EAP concurrently.

<b>MANAGEMENT</b>		
LED ON/OFF Control		●
Management MAC Access Control		●
Web-based Management		HTTP/HTTPS
Telnet		●
CLI (Command Line Interface)		●
SNMP		v1,v2c
System Logging		Local/Remote Syslog
Email Alerts		●
<b>PHYSICAL &amp; ENVIRONMENT</b>		
Power Supply	PoE or External 12VDC / 1A Power Supply	PoE or External 12VDC / 1.5A Power Supply
Maximum Power Consumption	4.4 watts	9.6 watts
Console Port		RJ45*1
Physical Security Lock		Kensington Lock Slot
Button		Reset Button, Power On/Off Button
Watch Dog		●
Dimensions (W * D * H)		7.1 x 7.1 x 1.9 in. (180*180*47.5mm)
Mounting		Ceiling /Wall mounting (Kits included)
<b>OTHERS</b>		
Certification		CE, FCC, RoHS
Package Contents		300Mbps Wireless N Gigabit Ceiling Mount Access Point EAP120 Power Adapter Mounting Kits Resource CD Installation Guide
System Requirements		Microsoft Windows XP, Vista, Windows 7, Windows 8
Environment		Operating Temperature: 0°C~40°C (32°F~104°F); Storage Temperature: -40°C~70°C (-40°F~158°F); Operating Humidity: 10%~90% non-condensing; Storage Humidity: 5%~90% non-condensing;