



AV600 2-port Passthrough Powerline Starter Kit

Smooth HD Streaming
on Multiple Devices



TL-PA4020P KIT



Highlights

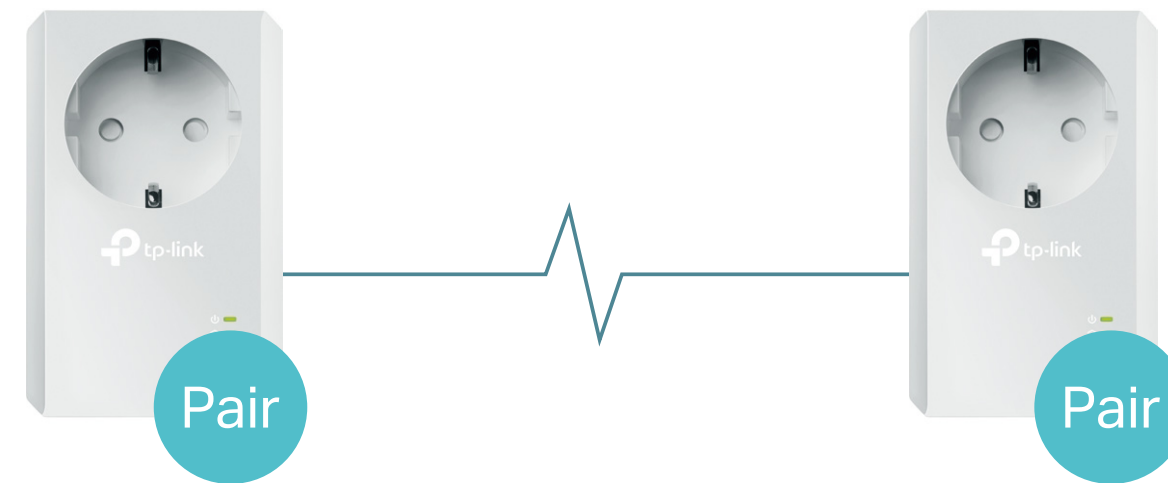
HomePlug AV Standard Compliant

The HomePlug AV standard creates high-speed data transfer rates of up to 600Mbps to support all your online activities.



One-Button Security

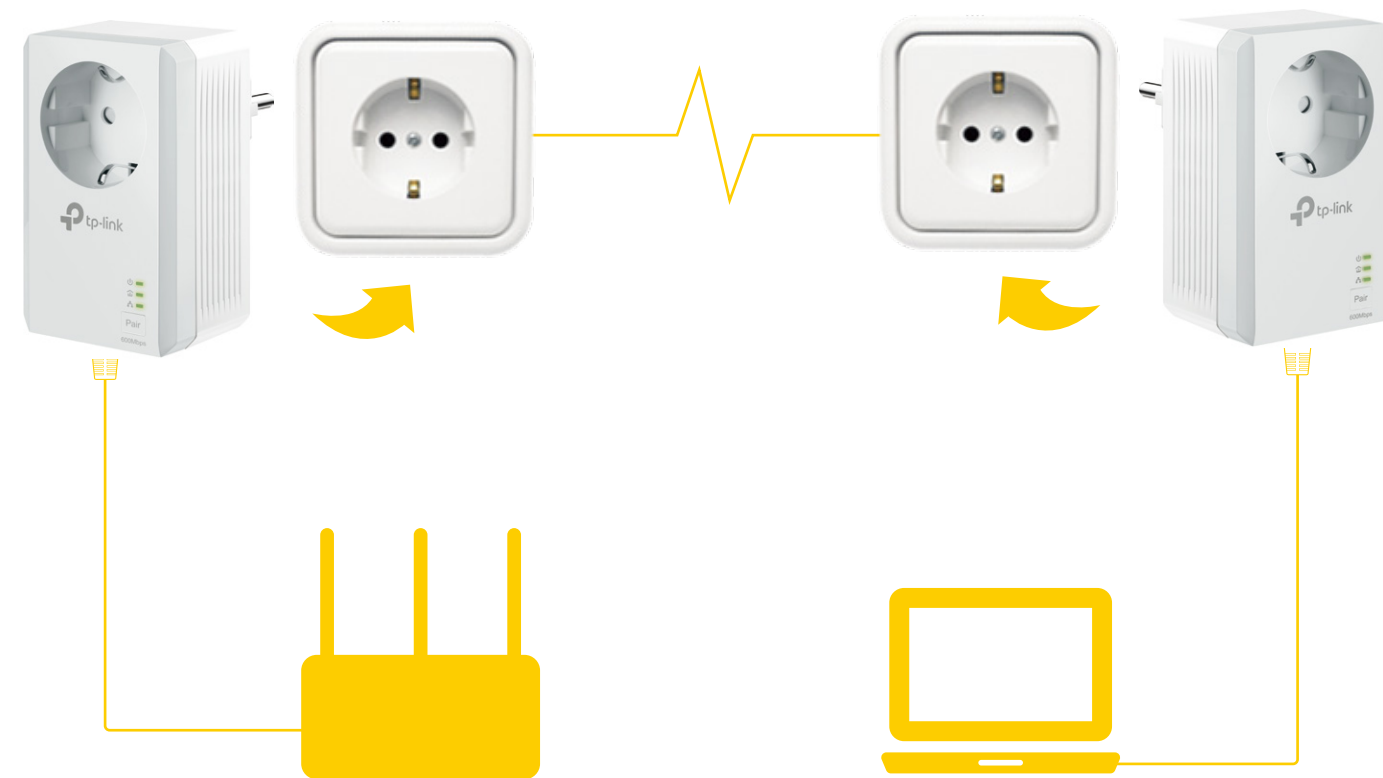
Simply push the Pair button on the adapters, and quickly set up a hassle-free powerline network.



Highlights

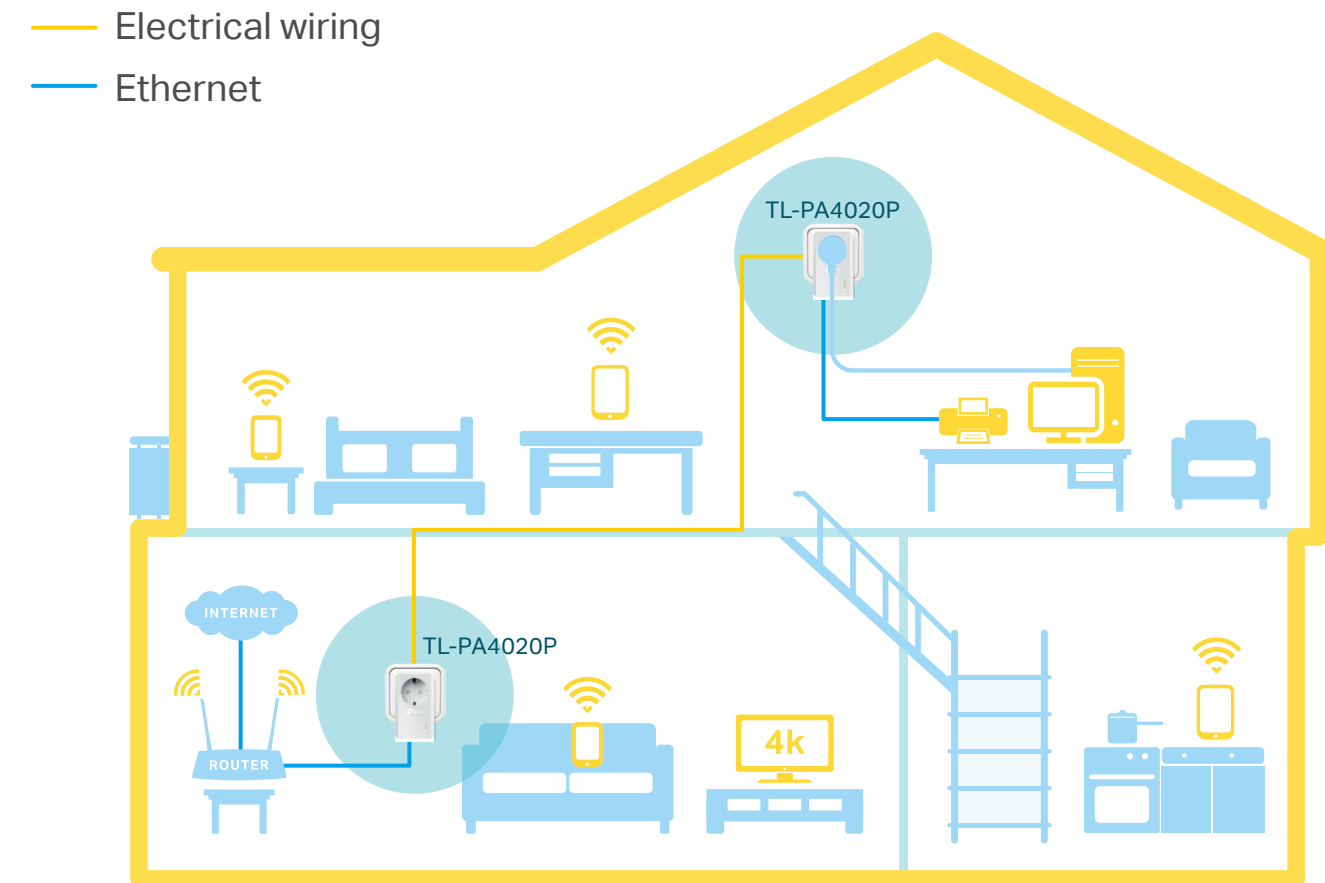
Plug and Play!

Powerline adapters and extenders must be deployed in a set of two or more. Simply plug them into wall outlets and enjoy the internet.



Internet from Any Outlet

The AV600 2-port Passthrough Powerline Starter Kit brings internet to any area with a power outlet using your home's electrical wiring.



Features

Speed

- Ultra-fast Powerline Speed – HomePlug AV standard compliant, high-speed data transfer rate of up to 600Mbps, ideal for Ultra HD streaming and online gaming
- Multiple Ports – 2 Ethernet Ports allow your TVs, game consoles or PCs to connect to the internet at high speeds

Ease of Use

- Plug and play – Plug and play, no configuration required
- No new wires – No new wires, use existing electrical wiring to expand your home network
- Keep your outlet – An integrated socket lets you power regular devices as normal, and a built-in noise filter prevents them from interrupting the powerline signal
- TP-Link tpPLC – Allows you to easily manage your network using the tpPLC Utility

Range

- 300 meters Range – Up to 300 meters / 1000 feet range over the existing household power circuit.

Security

- Pair Button – 128-bit AES encryption easily at a push of the "Pair" button

Reliability

- Mains Filter – Mains Filter inside the outlet reduces electrical noise interference and improves powerline communication performance

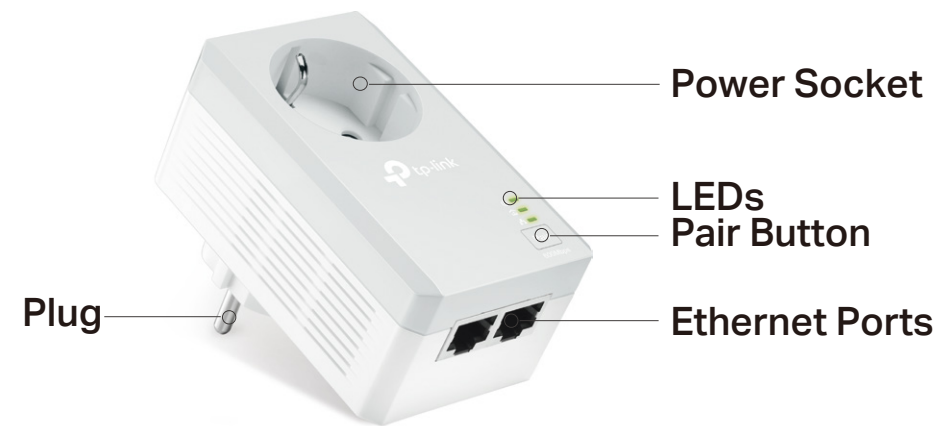
Energy Saving

- Power Saving – Power Saving Mode helps reducing power consumption by up to 85%

Specifications

Hardware

- Plug Type: EU
- Standards and Protocols: HomePlug AV, IEEE 1901, IEEE 802.3, IEEE 802.3u
- Power Consumption: Maximum: 5.82W
Typical: 5.20W
Standby: 0.92W
- Range: 300 Meters over electrical circuit
- Interface: 2 x Ethernet Port, Power Socket
- Button: Pair Button
- LED Indicator: Power, Powerline, Ethernet
- Dimensions (W x D x H): 3.7 x 2.3 x 1.7 in (95 x 58 x 42mm)



For more information, please visit

<http://www.tp-link.com/en/products/details/?model=TL-PA4020PKIT>

or scan the QR code left

Software

- Modulation Technology: OFDM (PLC)
- Encryption: Powerline Security: 128-bit AES

Others

- Certification: CE, RoHS
- Package Contents:
AV600 2-port Passthrough Powerline Adapter 2 x TL-PA4020P
2 x Ethernet Cable
Quick Installation Guide
- System Requirements:
Windows 2000/XP/2003/Vista, Windows 7/8/8.1/10, Mac, Linux
- System Requirements for tpPLC Utility:
Windows XP/Vista/7/8/8.1/10 and Mac OS X (10.7 or later)
- Environment:
Operating Temperature: 0°C~40°C (32°F ~104°F)
Storage Temperature: -40°C~70°C (-40°F ~158°F)
Operating Humidity: 10%~90% non-condensing
Storage Humidity: 5%~90% non-condensing

Specifications are subject to change without notice. TP-Link is a registered trademark of TP-Link Technologies Co., Ltd. Other brands and product names are trademarks or registered trademarks of their respective holders. Copyright ©2016 TP-Link Technologies Co., Ltd. All rights reserved.

* Compatible with all HomePlug AV & AV2 Standard Powerline adapters.

* Listed HomePlug AV speeds refer to the theoretical maximum physical-layer data transfer rate. Actual data speeds vary and are influenced by the home's electrical/physical environment, and if adapters are placed on the same home circuit.

www.tp-link.com

TP-Link AV600 2-port Passthrough Powerline Starter Kit TL-PA4020P KIT