



Quick Start Guide

InSight Series Panoramic Network Camera

*Images may differ from actual products.
InSight S655I is used for demonstration in this guide.

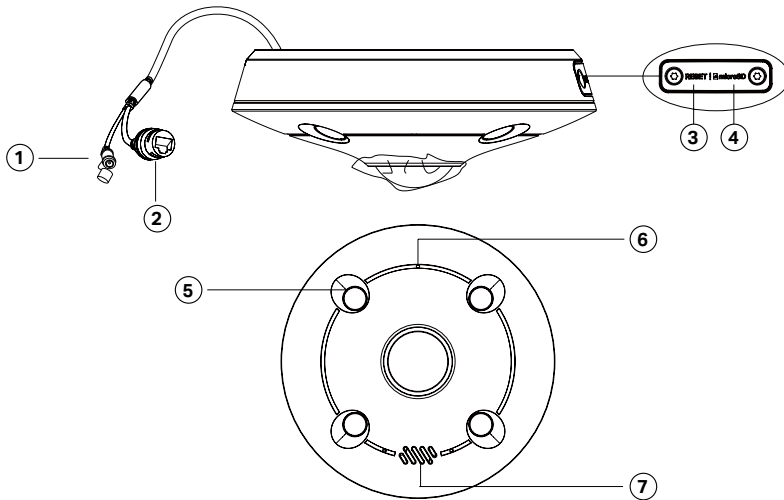
Contents

Chapter 1 Appearance	1
Chapter 2 Installation	2
2.1 Safety First.....	2
2.2 Mount the Camera	2
2.3 Install microSD Card (Optional)	5
2.4 Waterproof (Optional)	5
Chapter 3 Configuration	6
3.1 Via NVR.....	6
3.2 Via VIGI App.....	6
3.3 Via Web	7
Appendix FAQ	8

Chapter 1 Appearance

The figure is for demonstration purposes only. Your device may differ in appearance from the depicted.

- **InSight S655I**



① **Power Supply Interface**

② **RJ45 Network Interface** (supports PoE)

③ **Reset:** Unfasten the two fixed screws to remove the cover. Press for 5 seconds to reset the camera to factory settings.

④ **microSD Card Slot:** Unfasten the two fixed screws to remove the cover. Insert a microSD card for local storage. Initialize the SD card via VIGI app or other management tools before recording videos.

⑤ **IR LED** × 4

⑥ **Built-in Microphone**

⑦ **Speaker**

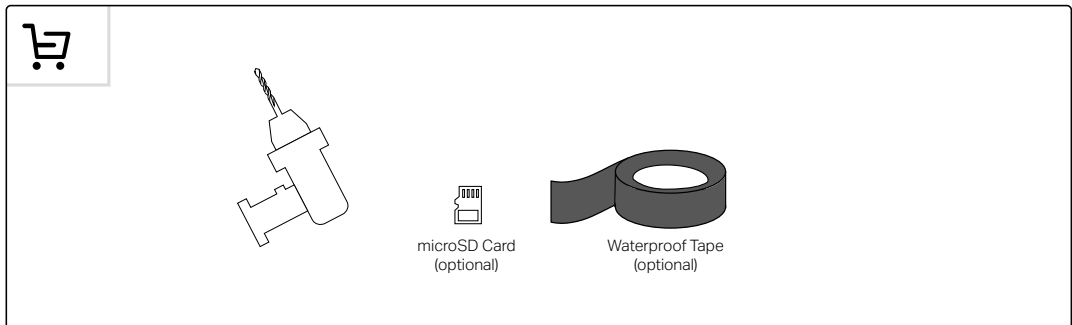
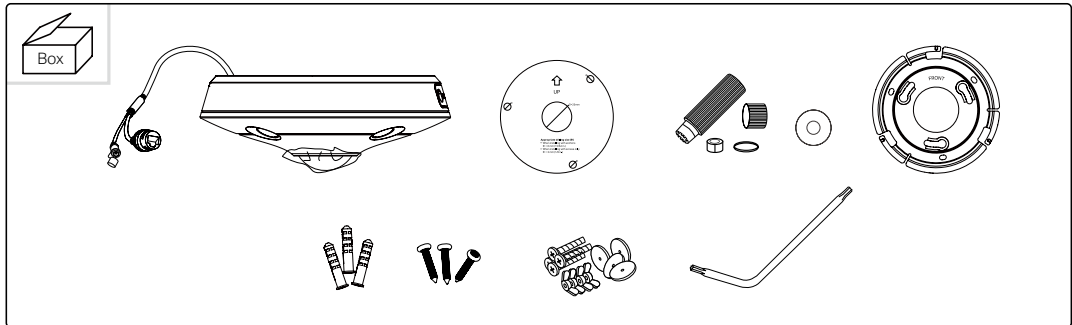
Chapter 2 Installation

2.1 Safety First

- Make sure your power supply matches your camera. The power source should comply with Power Source Class 2 (PS2) or Limited Power Source (LPS) of IEC 62368-1.
- Make sure that the wall is strong enough to withstand 4 times the weight of the camera and mounting bracket.
- Make sure the device is not connected to a power source when mounting and connecting cables.
- If you are uncertain or uncomfortable performing the installation, consult a qualified electrician.

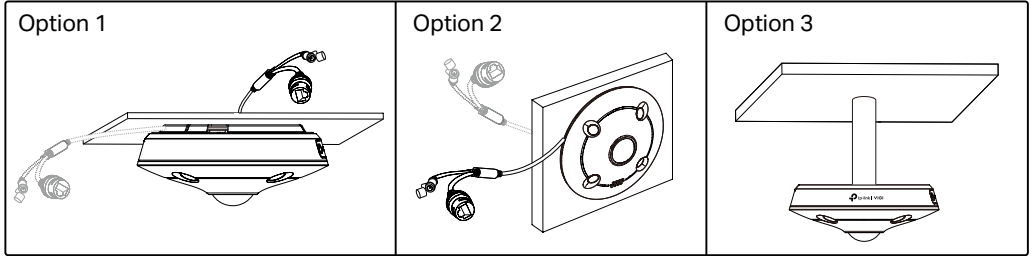
2.2 Mount the Camera

1. Get ready



2. Determine the mounting method.

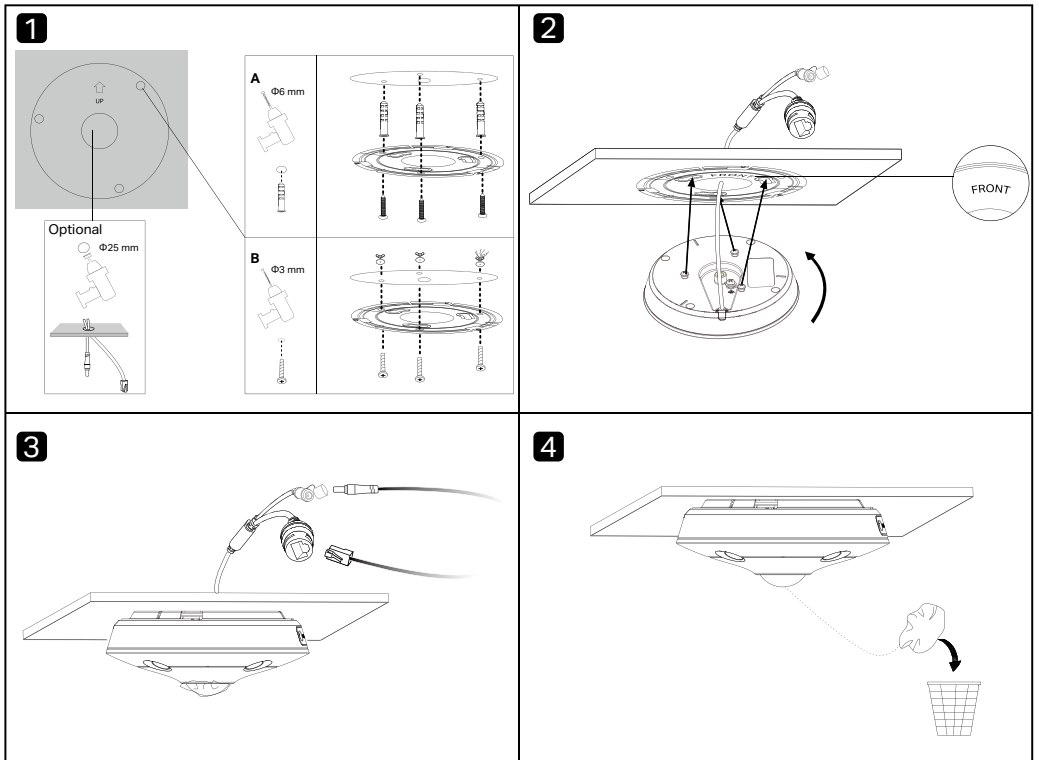
Note: When mounting the camera, avoid strong light sources shining directly into the camera lens.



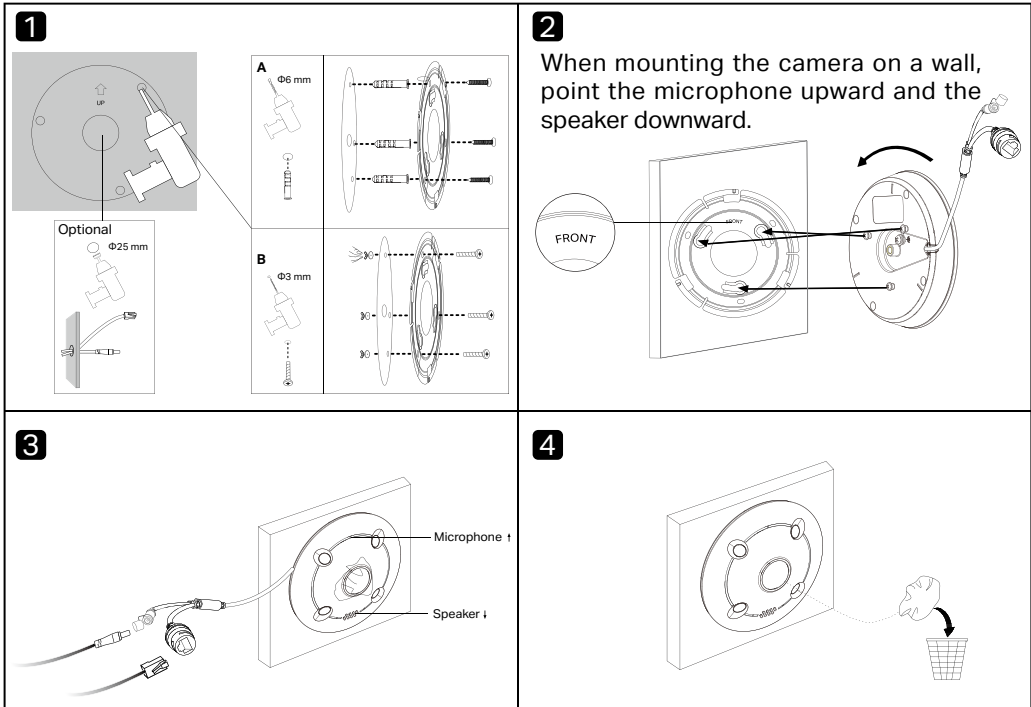
3. Mount the camera according to your desired mounting method.

Note: Keep the protective film during installation and remove it before use.

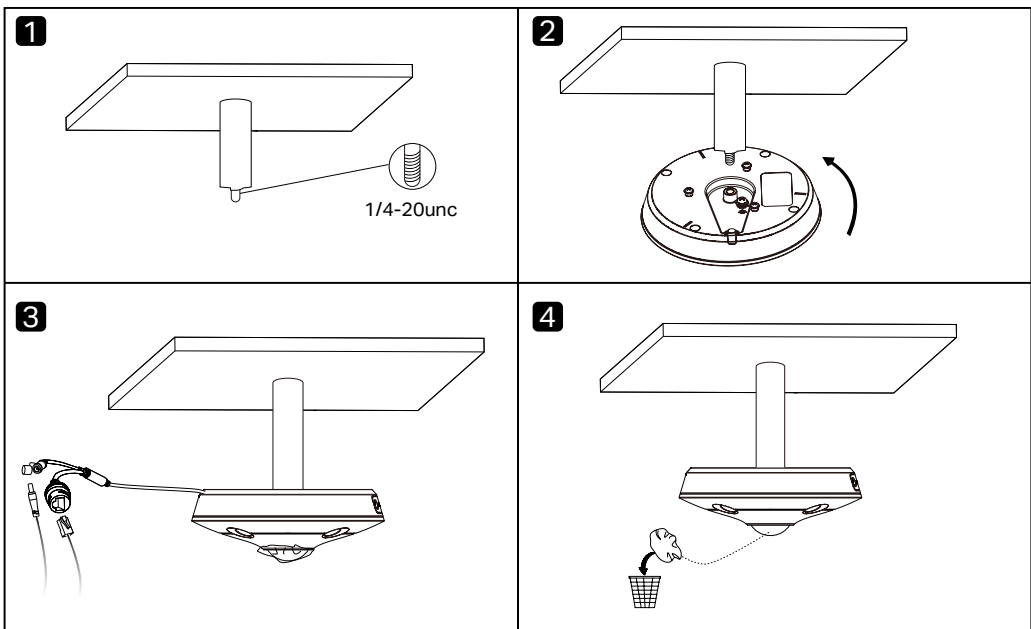
• Ceiling mounting



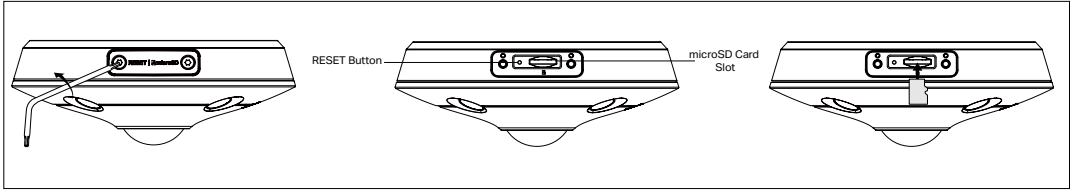
• Wall mounting



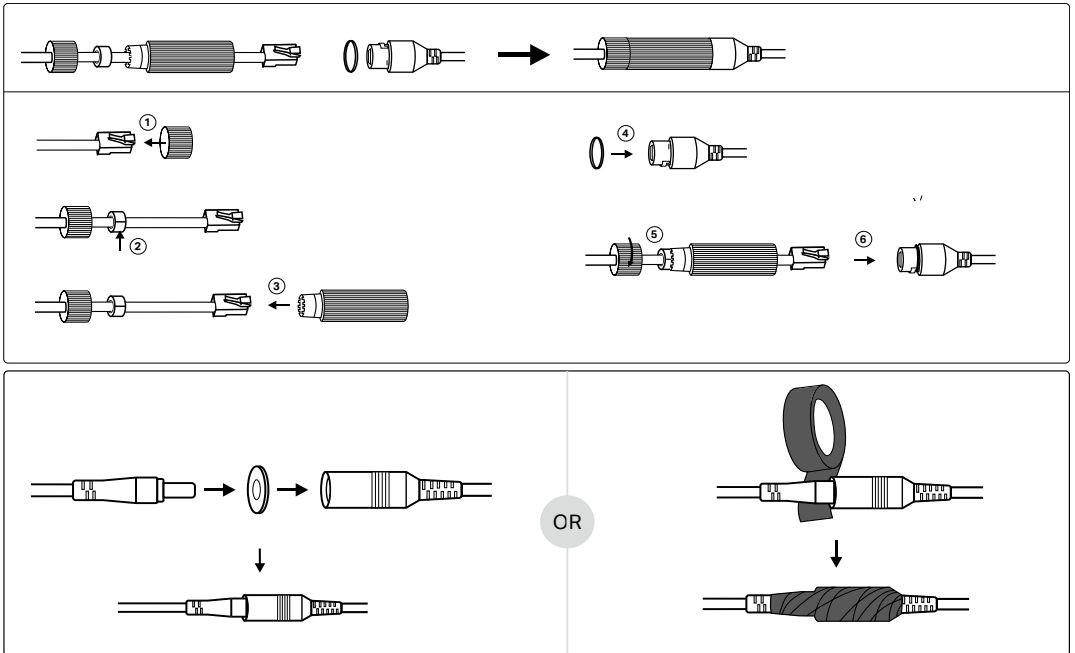
• Pendant mounting



2.3 Install microSD Card (Optional)

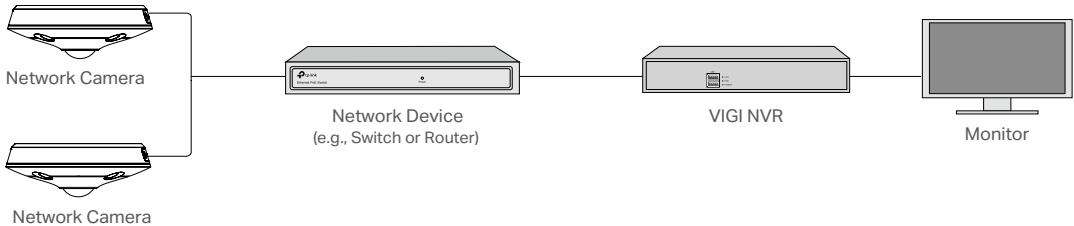


2.4 Waterproof (Optional)



Chapter 3 Configuration

Here is a typical network topology. You can add and manage your devices via any of the methods



3.1 Via NVR

The camera works with an NVR for easier batch access and management. Here we use a VIGI NVR as an example.

1. Connect your cameras to the same network as your NVR.
2. Power on your cameras with the PoE power supply or an external power supply.
3. Right click on the Live View screen on the monitor, and click Add Camera.
4. Select your camera and click + to add your camera directly. If you have disabled Plug and Play on your NVR, create a password or use a preset password for your camera.

Using your cameras with other NVR brands:

Step 1: Power on your cameras and connect them to the network.

Step 2: Activate the cameras using the TP-Link VIGI app or web management page.

Step 3: Refer to the NVR's User Manual to add cameras.

3.2 Via VIGI App

You can remotely view live video, manage device, and get instant alerts via VIGI app.

1. Download and install the latest TP-Link VIGI app.



or



2. Open the app and log in with your TP-Link ID. If you don't have an account, sign up first.
3. Tap the + button on the top right and follow the app instructions to add your NVR.

3.3 Via Web

You can view live video and modify camera settings via a web browser.

1. Find the camera's IP address on your router's client page.
2. On your local computer, open a web browser and enter `https://camera's IP address` (`https://192.168.0.60` by default).
3. Select your Country/Region and Time Zone.
4. Set a password to activate the camera.
5. You can view the live video on the Preview page, and go to the Settings page to change camera settings.

Appendix FAQ

Q1. What can I do if no cameras are discovered?

- Refresh to discover your camera again.
- Make sure the camera is powered on.
- Make sure your camera and NVR/computer are in the same subnet. If not, use the VIGI Config Tool to set camera's network parameters.
- Try to add your camera manually.
- For other NVR brands, make sure you have activated the camera by setting a password via TP-Link VIGI app or web management page.

Q2. How do I know the camera is powered on?

- The IR LED will turn on for a few seconds once the camera is powered on. If it's off, you can cover the lens for several seconds and check if the IR LED turns on.
- Check the Ethernet port LED status of the network device your camera is connected to.

If you have more questions, please visit <https://www.tp-link.com/support/faq/2850/>.

Safety Information

- Do not use any other chargers than those recommended.
- Do not use damaged charger or USB cable to charge the device.
- Do not attempt to disassemble, repair, or modify the device. If you need service, please contact us.
- Adapter shall be installed near the equipment and shall be easily accessible.
- Keep the device away from fire or hot environments. DO NOT immerse in water or any other liquid.