

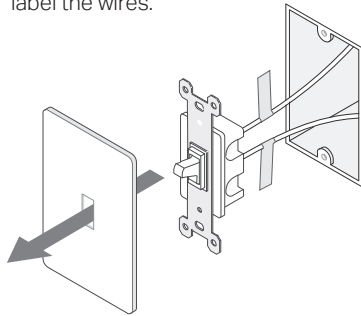
Quick Start Guide

Smart Wi-Fi Light Switch

*Images may differ from your actual product.

Wire Your Switch

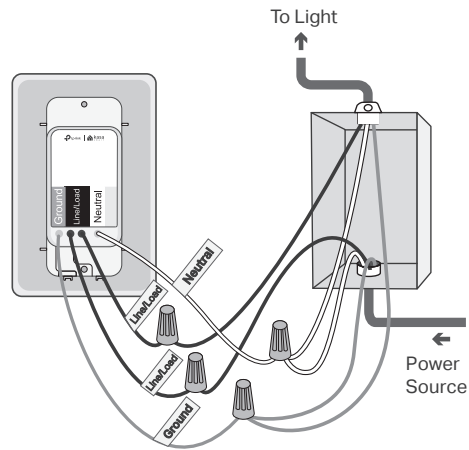
- 1 Turn off the circuit breaker. Then remove the old wallplate of the wall switch and label the wires.



Ground: Usually green or copper.
Neutral: Usually white, not connected to the dumb switch.
Line/Load: Usually black, and connected to the dumb switch.
If you are unsure, consult a qualified electrician.

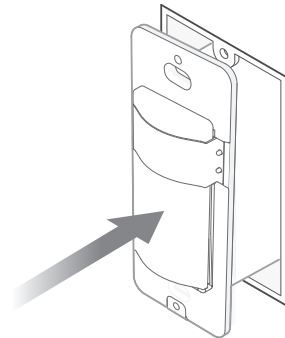
- 2 Disconnect wires from the old switch.

- 3 Connect the wires to the smart switch as shown below.

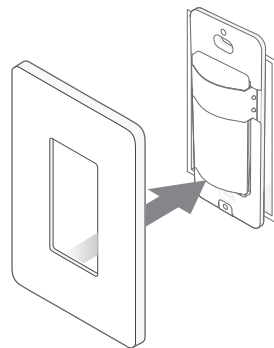


Note: No need to distinguish between Line and Load wires.

- 4 Line up the switch with the mounting holes. Secure it with screws.



- 5 Attach the wallplate. Then the wiring is finished.





Need some help?

Visit www.tp-link.com/support

for technical support, user guides, FAQs, warranty & more

Set Up Your Switch

STEP 1 DOWNLOAD APP

Get the **Kasa Smart** app from the App Store or Google Play.

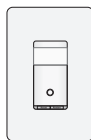


OR



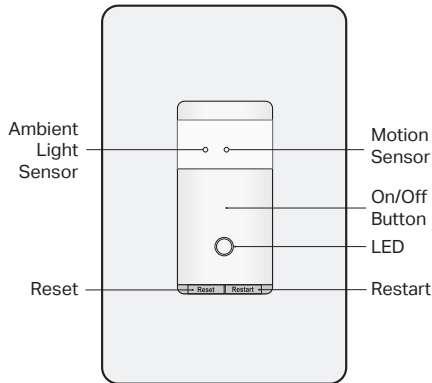
STEP 2 SET UP

Tap the **+** button in the app and select **Smart Switches**. Then follow the step-by-step app instructions to set up your smart switch.



Appearance

The built-in motion and ambient light sensors work together to realize hands-free control.



Button Explanations

Reset	Press and hold for about 5s to reset Wi-Fi while keeping other settings.
	Press and hold for about 10s to restore your switch to factory default settings.
Restart	Press to restart your switch.

LED Status

Flashing red	Starting up.
Flashing amber & green	Ready for setup.
Flashing green	Connecting to Wi-Fi.
Stay green for 30s	Connected to Wi-Fi.
Solid red	Disconnected from Wi-Fi.
Flashing amber	Device resetting.
White	Light fixture is off.

Specifications

Rating: 120V~ 60Hz

Load: 600W Incandescent, 1/6 HP Motor

Operation temperature: 0~40°C

Method of mounting included: Independently mounted (Vertically position only);

Operating control, Type 1.C action

Pollution Degree 2, Rated Impulse Voltage 2500 V

Software Class A, NEMA Type 1

CAUTION

High Voltage-Disconnect power supply before servicing

Safety Notice

Before installing, servicing or removing the switch, read and follow all safety precautions including the following:

- CAUTION – Risk of Electric Shock – More than one disconnect switch may be required to de-energize the equipment before servicing. A circuit breaker which disconnects the Line and Neutral conductor simultaneously is suitable. Ensure power is off at the circuit breaker before removing or installing any switch. Use a non-contact voltage tester to ensure the power is off.
- The Smart Switch must be installed and used in accordance with the National Electric Code (NEC) or your local electrical code. If you are unfamiliar with these codes and requirements, or are uncomfortable performing the installation, consult a qualified electrician.
- Do not install the Smart Switch with wet hands or when standing on wet or damp surfaces.
- Install only in a suitable UL Listed outlet box (suitable dimensions: H > 2.95 in./75 mm, W > 1.81 in./46 mm, D > 2 in./51 mm).