

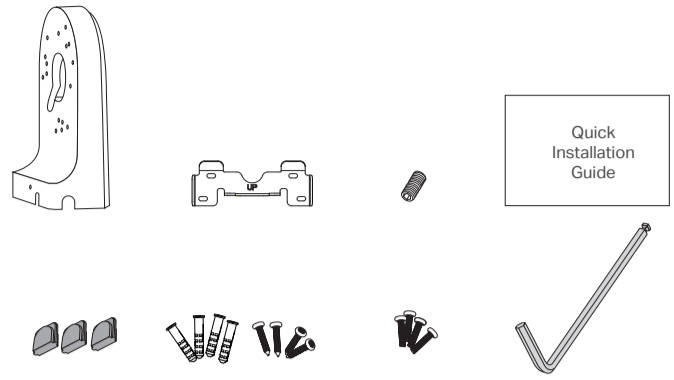
Quick Installation Guide

Network Camera Junction Box

*Images may differ from actual products.

©2024 TP-Link 7106511803 REV1.0.1

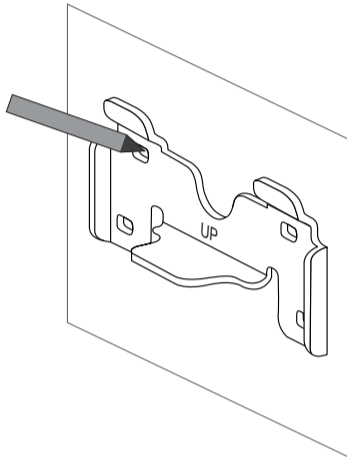
1 Get Ready



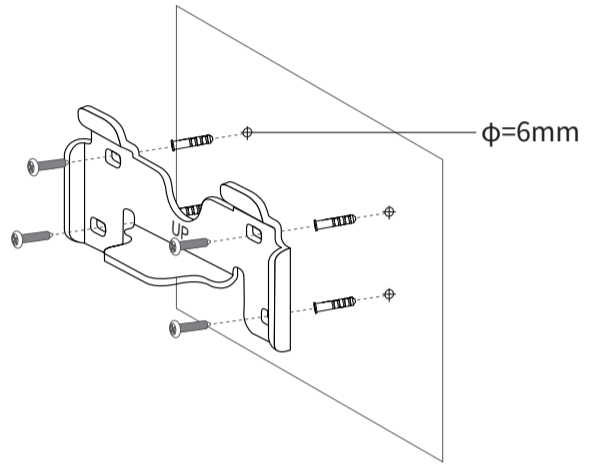
2 Mount the Box

1. Install the mounting bracket

- 1 Place the mounting bracket in the right position, and mark four positions for the screw holes.

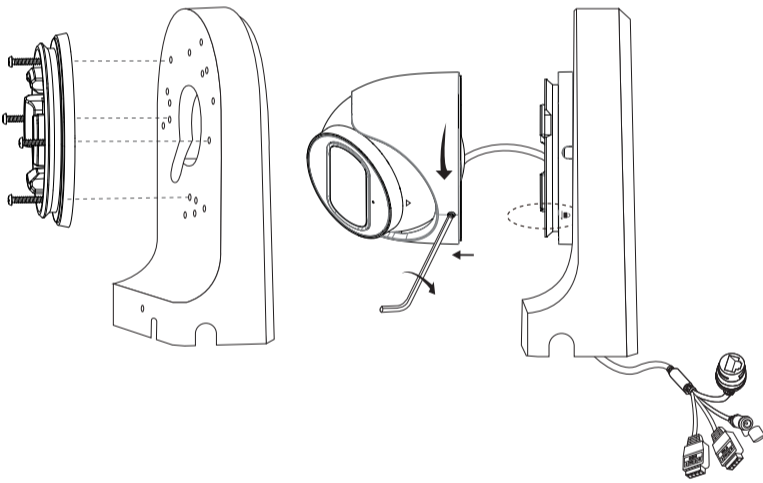


- 2 Drill four holes at the marked positions, insert the anchors into the holes, align the bracket to the anchors and drive the self-tapping screws into the anchors through the bracket.

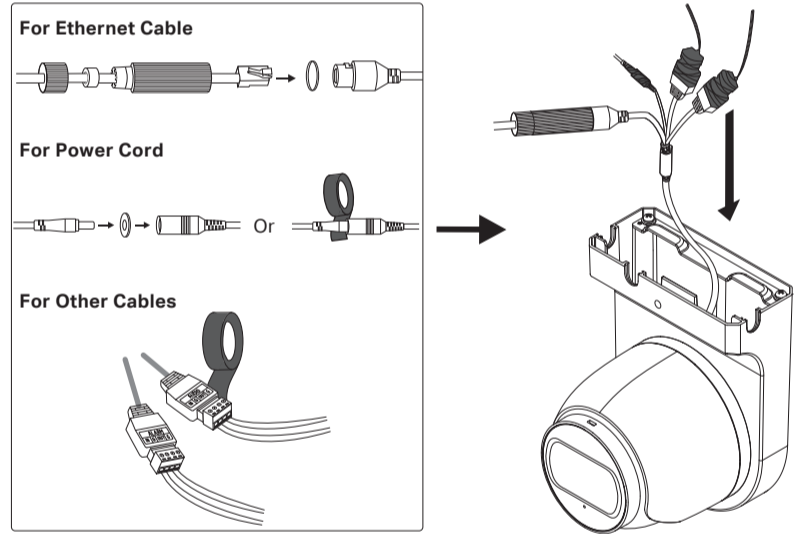


2. Mount the camera to the box

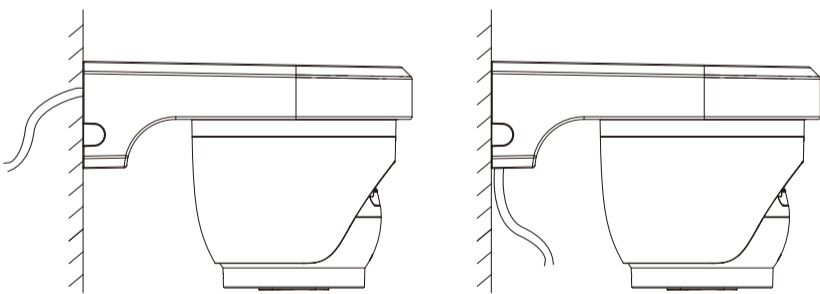
- 1 Select the appropriate holes and mount the camera on the box according to the camera's guide. Route the cables through the hole in the middle of the box. Here we use InSight S445ZI for demonstration.



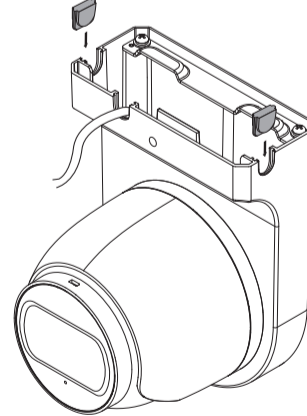
- 2 Waterproof the cable using the waterproof accessories that came with your camera, and use some tape to wrap the cables, then insert the cable into the box.



- 3 Determine routing location for bottom or side exit of cables.

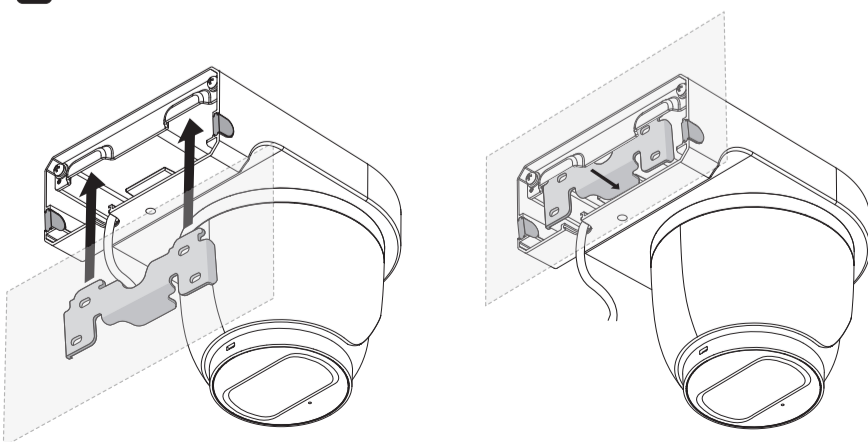


- 4 Here we use the side exit for demonstration. After routing the cable, insert the provided silicone plugs to the other two outlets for waterproofing.

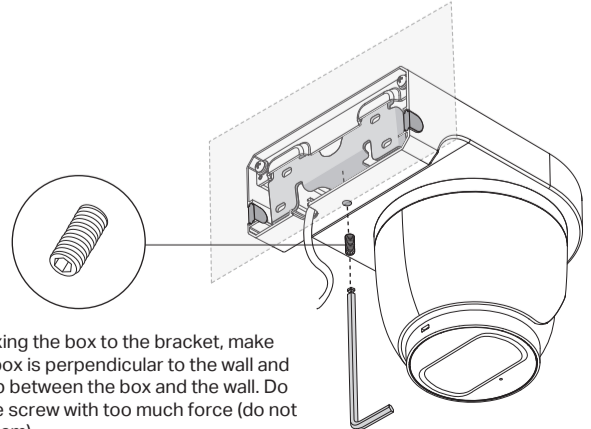


3. Install the box to the mounting bracket

- 1 Align the box to the mounting bracket as the diagram shows.



- 2 Secure the box to the bracket using the screw provided.



Note: When fixing the box to the bracket, make sure that the box is perpendicular to the wall and there is no gap between the box and the wall. Do not tighten the screw with too much force (do not exceed 10kgf.cm).

Appendix A: Mounting Holes for VIGI Cameras

Choose the appropriate mounting holes to mount your VIGI camera according to the table below.
 Visit <https://www.tp-link.com/vigi-accessories/product-list/> or scan the QR code for a list of compatible devices.



Shape	Models	Mounting Holes
	<p>InSight S445 InSight S455 InSight S485 InSight S445ZI</p>	 <p>Hole 1 and its corresponding holes</p>
	<p>InSight S245ZI</p>	 <p>Hole 2 and its corresponding holes</p>
	<p>VIGI C420I VIGI C430I VIGI C440I VIGI C430 VIGI C440 VIGI C440-W VIGI C450 VIGI C230I Mini InSight S655I</p>	 <p>Hole 3 and its corresponding holes</p>
	<p>VIGI C220I VIGI C230I VIGI C240I VIGI C230 VIGI C240 VIGI C250</p>	 <p>Hole 4 and its corresponding holes</p>
	<p>InSight S245 InSight S285</p>	 <p>Hole 5 and its corresponding holes</p>