

Quick Installation Guide

Indoor/Outdoor Access Point



Scan for
EAP Start Guide

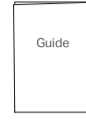
Note: EAP772-Outdoor is used as an example throughout the guide. Images may differ from your actual product.

©2026 TP-Link 7100003048 REV1.20.1

Package Contents



1×



1×

For Securing the
Grounding Wire

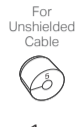


1×

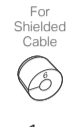
Waterproof Kit



1×



1×



1×

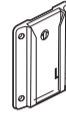


1×



1×

Mounting Kit



1×



1×



4×



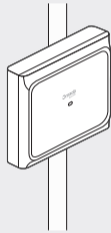
4×



2×

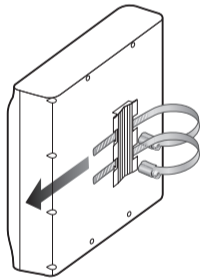
Installation

Option 1: Pole Mounting

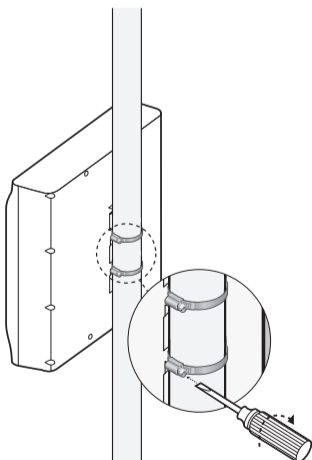


2×

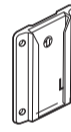
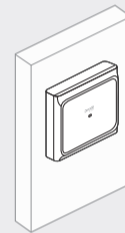
1



2



Option 2: Wall Mounting



1×



1×

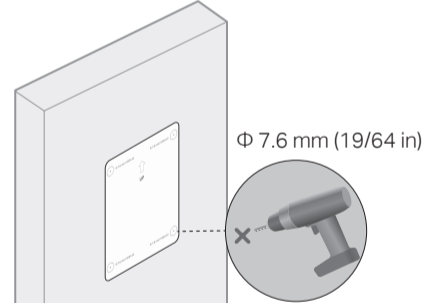


4×

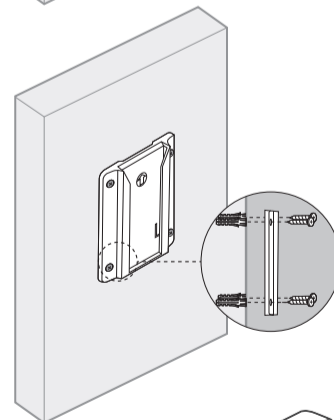


4×

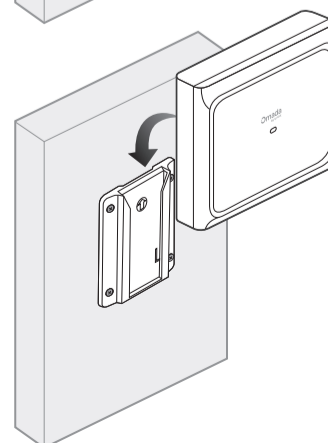
1



2

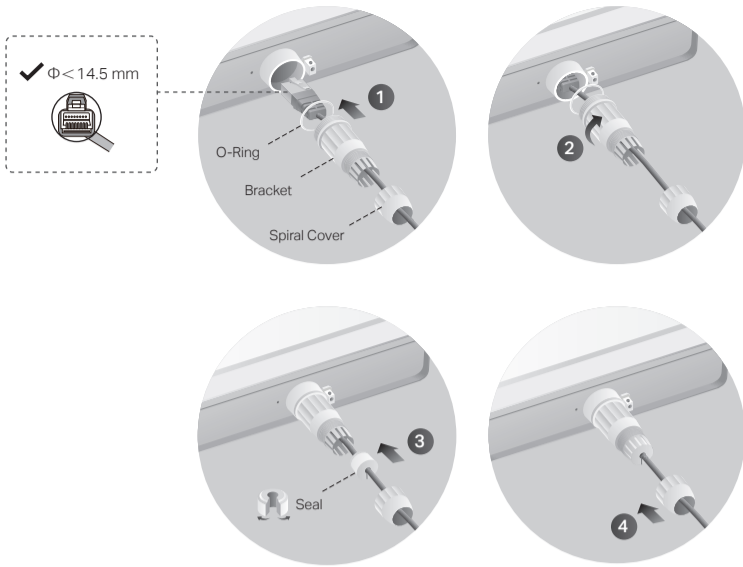


3



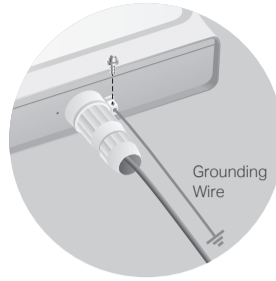
Connection

1. Waterproofing



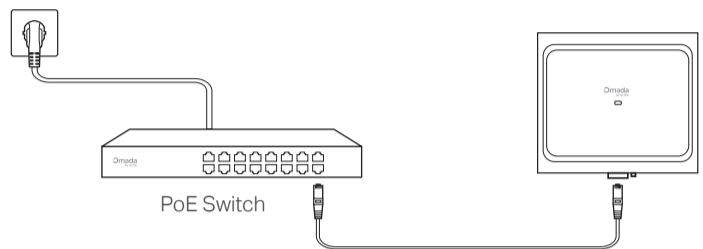
Note: To ensure waterproofing, choose the proper seal according to the type and diameter of the Ethernet cable.

2. Grounding



Note: For lightning and ESD protection, connect the EAP's grounding terminal to grounding facilities using a proper grounding wire, which should meet local installation requirements.

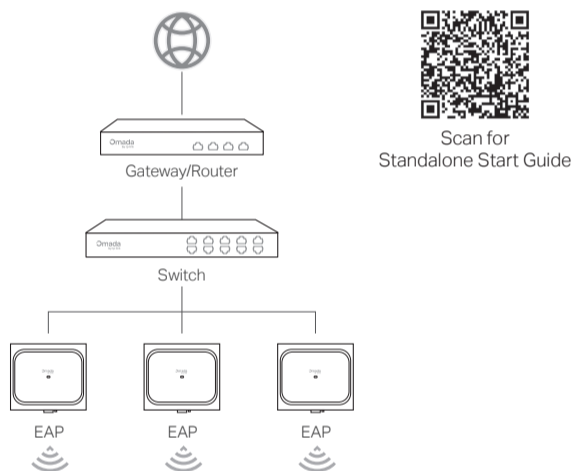
3. Power On



Configuration

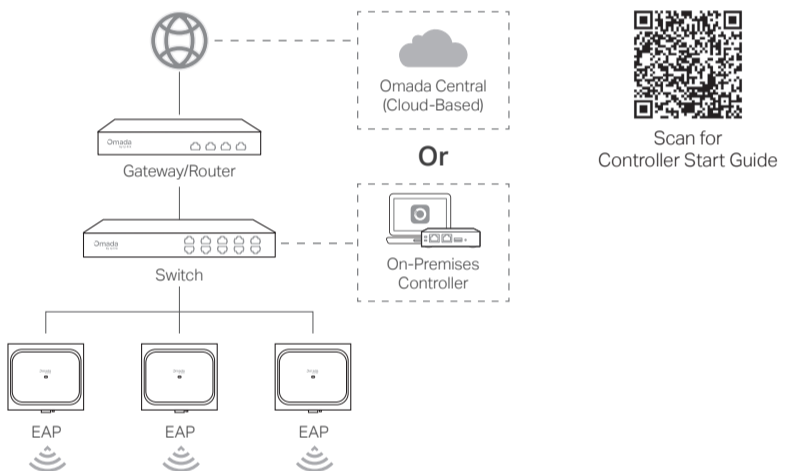
Option 1: Standalone Mode

Configure and manage each EAP on its standalone page.



Option 2: Controller Mode

Configure and manage EAPs (and other Omada devices) centrally on an Omada Controller.



Omada App

With the TP-Link Omada app, you can access and manage your Omada devices at a local site or remotely with a tap of your phone.



More Configurations

For more configurations, refer to the User Guides of the Omada Controller and Omada Access Points at: <https://support.omadanetworks.com/document/>



Safety Information

- Keep the device away from fire or hot environments. DO NOT immerse in water or any other liquid.
- Do not attempt to disassemble, repair, or modify the device. If you need service, please contact us.
- Do not use the device where wireless devices are not allowed.
- This EAP can be powered only by equipment that complies with Power Source Class 2 (PS2) or Limited Power Source (LPS) defined in the standard of IEC 62368-1.

TP-Link hereby declares that the Access Point is in compliance with the essential requirements and other relevant provisions of directives 2014/53/EU, 2011/65/EU, and (EU)2015/863. The original EU Declaration of Conformity may be found at <https://www.tp-link.com/en/support/ce/>.

TP-Link hereby declares that the Access Point is in compliance with the essential requirements and other relevant provisions of the Radio Equipment Regulations 2017. The original UK Declaration of Conformity may be found at <https://www.tp-link.com/support/ukca/>

Attention: In EU member states, EFTA countries, and Northern Ireland, the operation in the frequency range 5150MHz - 5350MHz and 6105MHz - 6425MHz is only permitted indoors.

Attention: In Great Britain, the operation in the frequency range 5150MHz - 5350MHz and 6105MHz - 6425MHz is only permitted indoors.

For the EAP Controller, go to the **Devices** page and select the desired EAP to specify the channel.

For the web browser, go to **Wireless > Wireless Settings** to specify the channel.

!	AT	BE	BG	CH	CY	CZ	DE	DK	!	UK
	EE	EL	ES	FI	FR	HR	HU	IE		
	IS	IT	LI	LT	LU	LV	MT	NL		
	NO	PL	PT	RO	SE	SI	SK	UK(NI)		

More Resources

Main Site	https://www.omadanetworks.com/
Video Center	https://support.omadanetworks.com/video/
Documents	https://support.omadanetworks.com/document/
Product Support	https://support.omadanetworks.com/product/
Technical Support	https://support.omadanetworks.com/contact-support/

Warranty

For details on the warranty period, policy, and procedures, visit <https://support.omadanetworks.com/warranty-services/>.

Support

For technical support, user guides, and other information, please visit <https://support.omadanetworks.com/>, or simply scan the QR code.

