



# LiDAR Navigation Robot Vacuum & Mop



**4200Pa Hyper Suction**  
For a deeper, powerful clean

### LiDAR & Gyro Dual Navi System

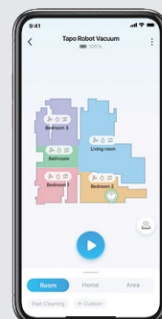
Higher precision mapping and navigation

### Vacuum and Mop Combo

Tackles sticky messes and kitchen grease

### 3-Hour Continuous Clean

5000 mAh energy-dense battery†



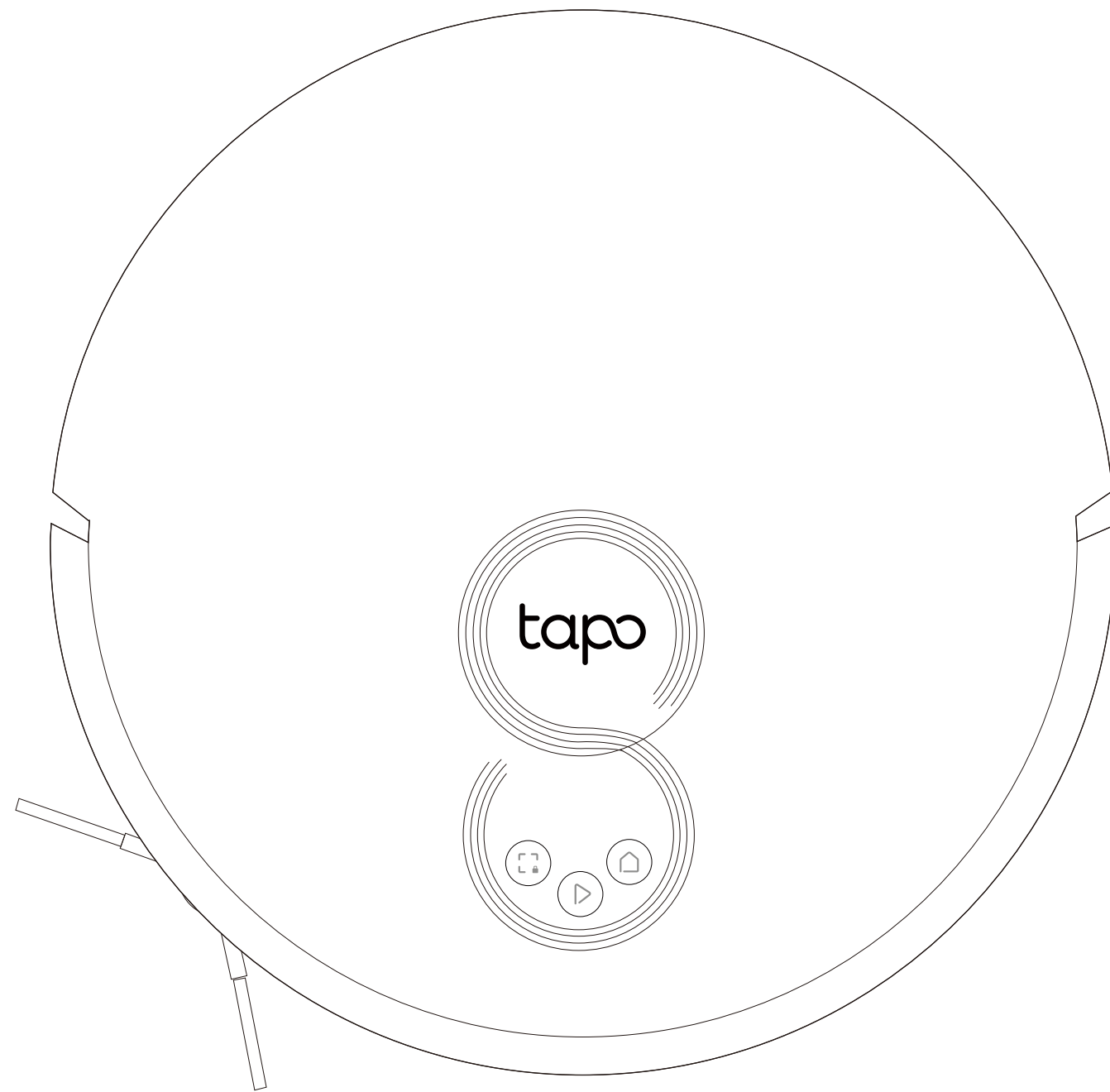
App Control



**Tapo RV30**

# // Overview

## Robot Vacuum



### ▶ Power/Clean

- Press once: Start/pause cleaning.
- Press and hold for 5 seconds: Turn on/off the robot vacuum.

\*For the first use, slide the power switch from OFF to ON to turn on.

### 🏠 Dock

- Return to the dock to charge.

### ⊞ Spot Cleaning/Child Lock

- Press once: Start spot cleaning.
- Press and hold for 5 seconds: Turn on/off the child lock.

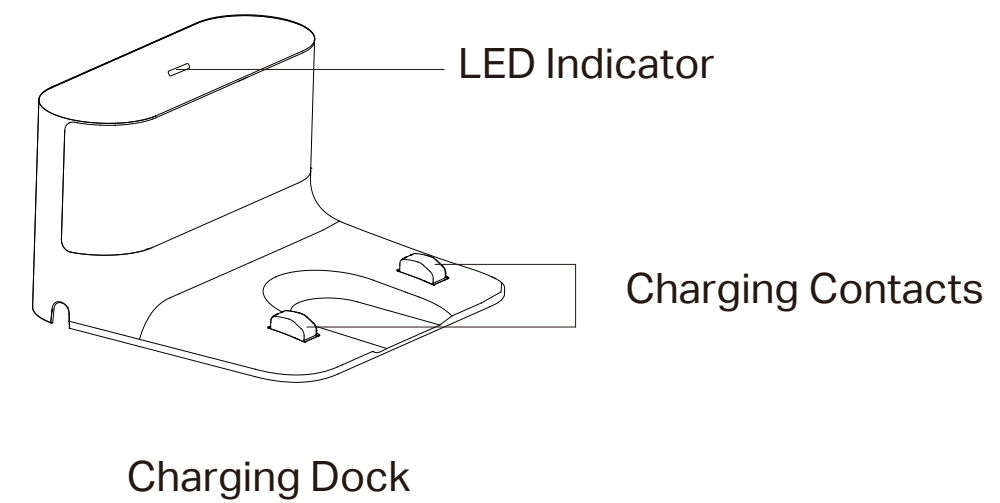
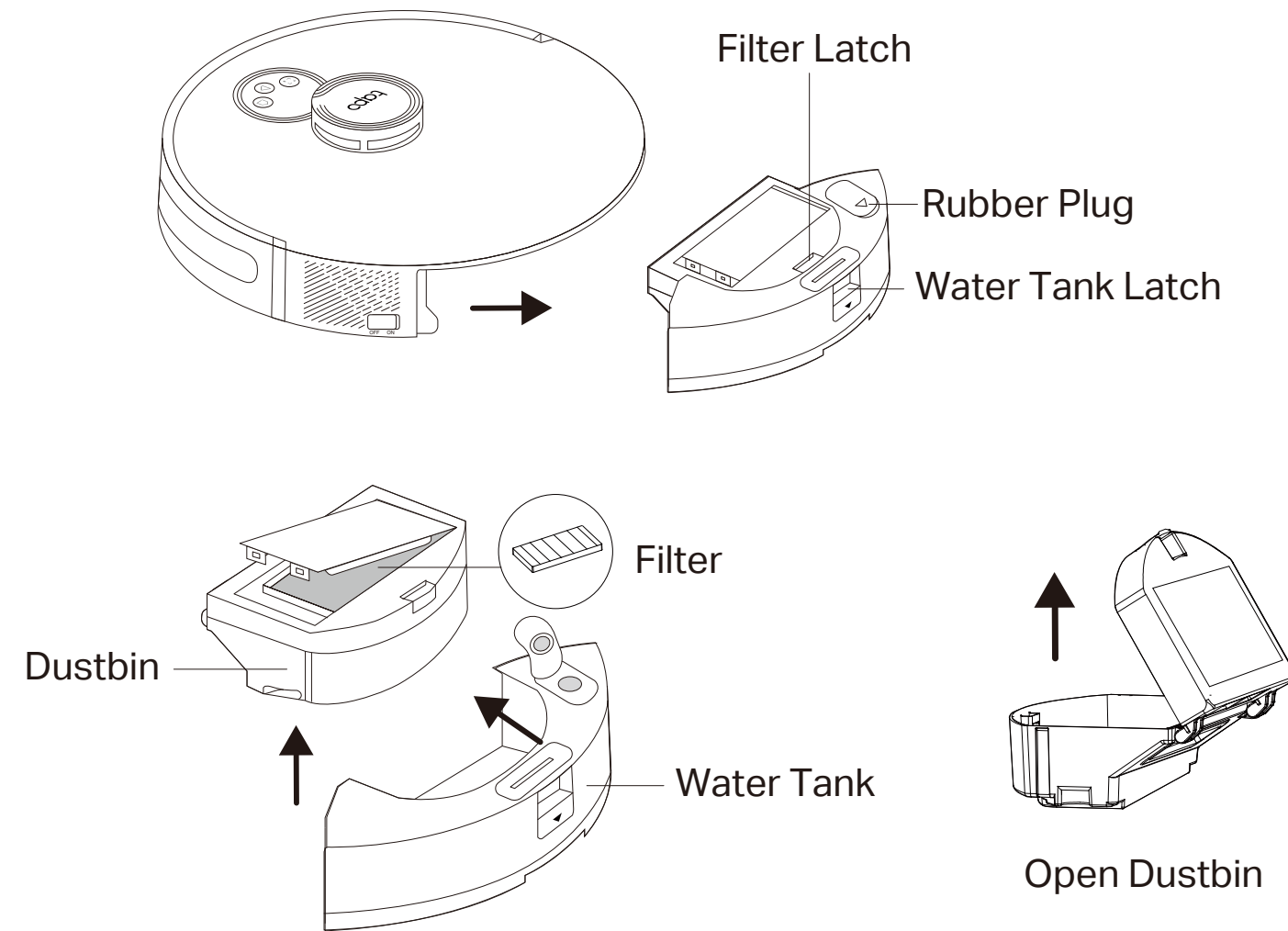
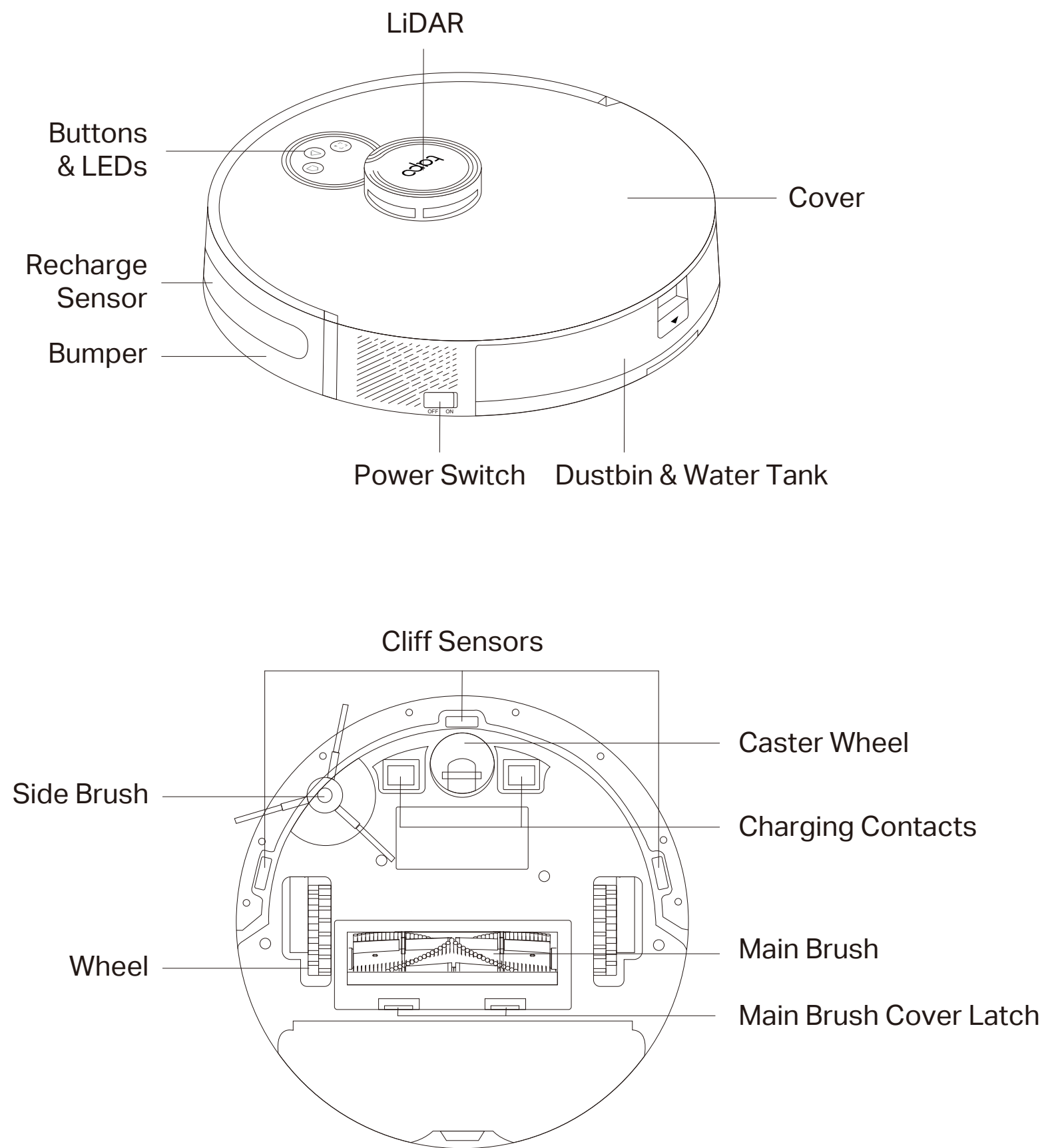
### 🏠 + ⊞ Combination Button

- Press and hold simultaneously for 5 seconds: Enter setup mode to configure network.
- Press and hold simultaneously for 10 seconds: Restore to factory default settings.

### 🏠 LED

- **Red:** Battery level < 20%; Error
- **Orange:** Battery level between 20% and 80%
- **Green:** Battery level > 80%

# Overview



## // Highlights



### 4200Pa Hyper Suction

With industry-leading suction power up to 4200Pa, the Tapo Robot Vacuum is designed for a deeper clean that sweeps away debris sandwiched between gaps and dust hidden in carpets, leaving nothing but a spotless floor.

### 3-Hour Continuous Cleaning

5000 mAh energy-dense battery powers a long-lasting, fade-free suction.<sup>†</sup>

### Auto-Boost for Your Carpets

Automatically adjusts the suction power to the max mode when encountering carpets.

### 400ml Dust Bin Carries More

Holds even more debris, pet hair, and dust.



### High-Precision Dual Navi System

A LiDAR and Gyro dual navigation system serves as the brain and accurately maps out your home in minutes, avoids omissions and repeated cleaning, and even works well in the dark.

### Multi-Floor Local-Stored Maps

Recognizes different floors faster and accurately with 3 local-stored maps.

### Obstacle Detection and Avoidance

Laser-based sensors handle complex environments flexibly.

### Anti-Drop Protection

Multiple cliff sensors avoid falls down stairs and ledges.



## // Highlights



### Mops and Vacuums Simultaneously

Mopping is essential for houses with hard floors, which need regular polishing. Vacuuming and mopping in one trip turns your thankless chore time into me time.<sup>§</sup>

#### Huge Water Tank Capacity

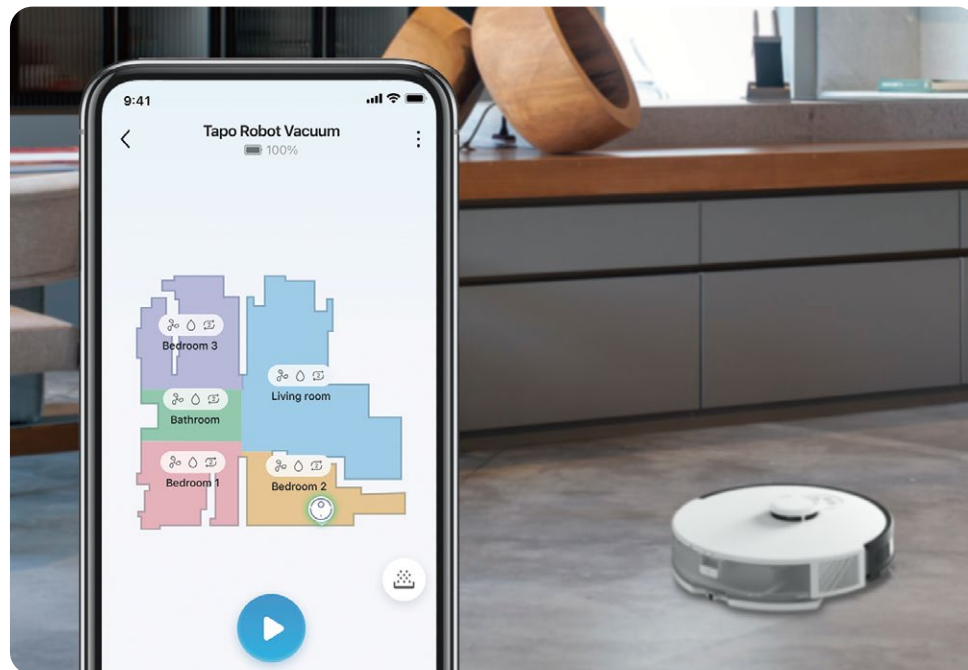
A full-size 300ml water tank covers up to 200 m<sup>2</sup> / 2100 ft<sup>2</sup>.<sup>‡</sup>

#### 3-Level Electronic Mopping

Provides 3 water flows to suit different floor types with consistent and steady water pressure.

#### Wet Hard Surfaces, Dry Carpets

Set no-go zones or virtual walls via the Tapo app to keep your carpets nice and dry.



### Total Control at Your Fingertips

Cleaning made simple. Manage your own cleaning schedule and monitor your robot's status at home or away with the Tapo app.

#### Customizable Cleaning

Merge and separate areas, name individual rooms, and customize clean modes for each room.

#### Virtual Walls and No-Go Zones

Set up areas you don't want the robot to go via the Tapo app.

#### Simple Voice Control

Pair with Alexa or Google Home to control with voice commands.

# // Specifications

## Care and Maintenance

To maintain optimal performance, maintain the robot vacuum according to the following guidelines.

Part	Maintenance Frequency	Replacement Frequency*
Dustbin	Clean/wash as needed	/
Filter	Once a week	3-6 months
Main Brush	Every 2 weeks	6-12 months
Side Brush	Once a month	3-6 months
Mop Cloth	After each use	2-3 months
Caster Wheel	Clean as needed	/
Main Wheels	Once a month	/
Sensors	Once a month	/
Charging Contacts	Once a month	/

\*Replacement frequency may vary depending on the actual situation. Parts should be replaced if visible wear appears.

# // Specifications

## Mapping & Navigation Features

- Mapping/Path Planning: LiDAR + Gyroscope
- High-Precision Map: Yes
- Obstacle Avoidance: LiDAR
- Barrier-Cross Height: 20 mm/0.79 in
- Anti-Drop Protection: Yes

## Vacuuming Features

- Max Suction Power: 4200Pa
- Suction Level Adjustment: 4 levels
- Dustbin Capacity: 400ml
- Dustbin Detection: Yes
- HEPA Filter: Yes
- Carpet Boost: Yes, Electricity Recognition

## Mopping Features

- Wet Mopping : Yes
- Mopping Type: Electric Water Flow Control
- Water Level Adjustment: 3 levels
- Water Tank Capacity: 300ml

## Battery

- Battery Capacity : 5000 mAh
- Recharge & Resume: Yes

## App Features

- Real-Time Tracking: Yes
- Multi-Floor Mapping: Yes
- Scheduled Cleaning: Yes
- Virtual Walls: Yes
- No-Go Zones: Yes
- Zone Cleaning: Yes

# // Specifications

## Physical

- Product Dimensions:

Robot Vacuum: 341 × 341 × 95 mm (13.4 × 13.4 × 3.7 in)

- Package Contents:

Robot Vacuum Cleaner ×1

Charging Base ×1

Mop Cloth Mount ×1

Power Adapter ×1

Quick Installation Guide

Washable Mop Cloth ×2

Side Brush ×2

HEPA Filter ×2

Cleaning Brush ×1

## Others

- Wireless Connection:

IEEE 802.11 b/g/n, 2.4 GHz band only;

Bluetooth 4.2 (only for onboarding)

- Rated Input Voltage: 100-240 VAC, 50/60 Hz

- Max Charging Power Consumption: 16.8W (DC16.8V 1A)

- Max Working Power Consumption:

Robot Vacuum: 40W

- Works with Google Home: Yes

- Works with Amazon Alexa: Yes

<sup>†</sup>Based on internal testing carried out by the manufacturer, using quiet vacuuming mode with a full battery. Actual results may vary according to the working status and home environment.

<sup>‡</sup>Based on internal testing carried out by the manufacturer, using low water flow with a full battery. Actual results may vary according to the home environment.

<sup>§</sup>It is recommended to mop with Tapo Robot Vacuum Foamless Hard-Surface Floor Cleaner.