

Pan/Tilt Home Security Wi-Fi Camera

2K
Resolution

Tapo C210



Motion Detection and Tracking

Person
Detection

Baby Crying
Detection

Night Vision
up to 40 ft



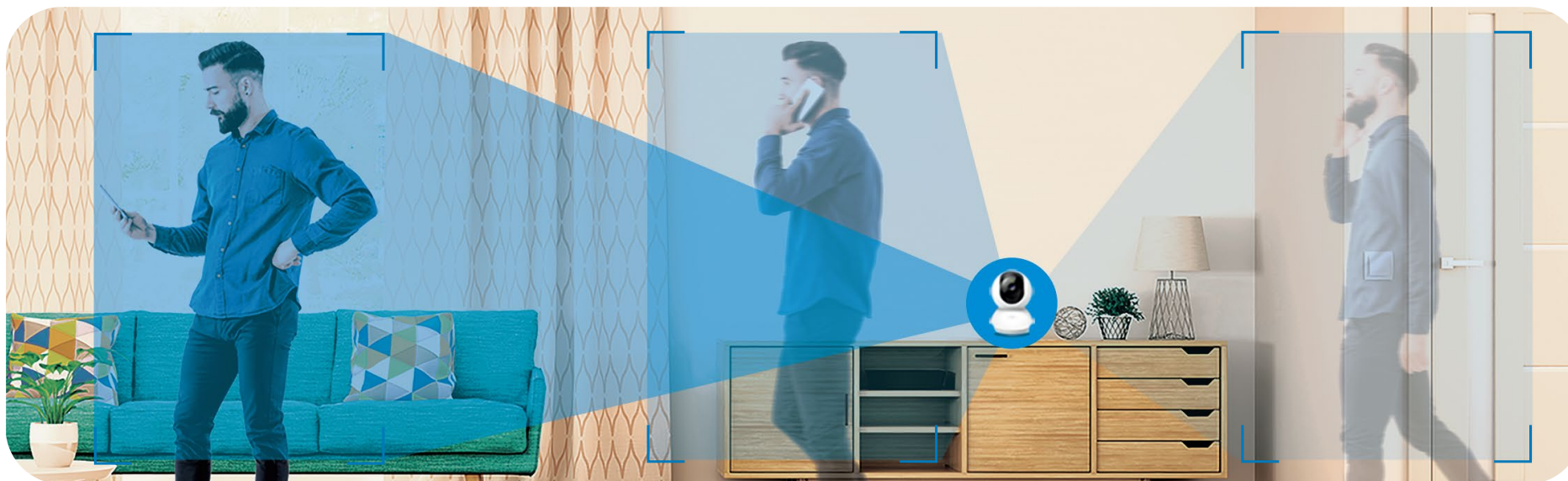
works with | **amazon alexa**

works with
Google Home

// Highlights

Motion Detection and Tracking

Whenever a camera detects motion, it will automatically follow the subject, keeping it within the camera's field of view.



// Features



Person Detection

Notifies you when a person is detected.



Night Vision up to 40 ft

Provides a visual distance of up to 40 ft in total darkness.



Two-Way Audio

Communicate in real time through a built-in microphone and speaker.



Baby Crying Detection

Notifies you when your baby cries.



Field of View

360° horizontal range.



Customizable Block Zones

Set customizable block zones to keep private areas from being monitored.



2K Definition^Δ

Provides more crisp details.



Cloud Storage Supported[‡]

Store videos by using cloud storage services.



Local microSD Storage[†]

Store up to 512 GB of video on a microSD card[†].

[†]microSD card purchased separately.

[‡]Subscribe for cloud storage at <https://www.tapo.com/tapocare/>

[§]Tapo C210 does not have an Ethernet port and can only be connected via Wi-Fi.

^ΔCompatible with Alexa and Google Assistant supported displays. User experience is dependent on the connected device's specifications.

For more information, please visit <https://www.tapo.com/>

All brands and product names are trademarks or registered trademarks of their respective holders. Specifications are subject to change without notice.

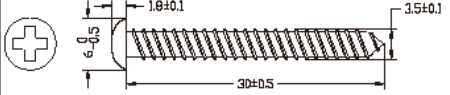
©2025 TP-Link

// Specifications

| | | |
|--------------------------|----------------------|---|
| Camera | Image Sensor | 1/2.8" Progressive Scan CMOS Not Starlight Sensor |
| | Lens | Focal Length: 4 mm Aperture: F2.0 Field of View: 98° (Diagonal), 83°(Horizontal), 45°(Vertical) |
| | Night Vision | 850 nm IR LED (40 ft / 12 m) |
| | Day/Night Switch | IR-Cut Filter with Auto-Switching |
| | Interface & Button | 1× RESET Button 1× microSD Card Slot (Up to 512 GB) |
| Video & Audio | Maximum Resolution | 2304 x 1296 px |
| | Frame Rate | 15/20/25/30 fps |
| | Digital Zoom | None |
| | Video Compression | H.264 |
| | Live View | Yes |
| Video & Audio | Image Enhancement | 3DNR WDR |
| | Audio Input & Output | Built-in Microphone and Speaker |

| | | |
|-------------------------------------|-----------------------|---|
| Video & Audio | Audio Communication | Two-Way Audio with Noise Cancellation |
| | Siren Volume | 88 dB (Level measured at 4-inch/10-cm distance) |
| Storage | Local Storage | microSD Card Slot on Camera (Up to 512 GB) |
| | Cloud Storage | Tapo Care Cloud Storage Services (Subscription required) |
| Detection & Notification | AI Detection | Motion Detection Person Detection Baby Crying Detection |
| | Activity Zones | Yes *Only works with Motion & Person Detection. |
| | Output Notification | System Notification System Notification with Snapshot (Tapo Care Services) |
| Network | Network Connectivity | Connect via Wi-Fi |
| | Wireless Connectivity | IEEE 802.11b/g/n, 2.4 GHz Wi-Fi |
| | EIRP | 19dBm for 2.4 GHz |
| | Protocol | TCP/IP, DHCP, ICMP, DNS, NTP, HTTPS, TCP, UDP |
| | RTSP | Yes |
| | ONVIF | Yes (Profile S) |

| | | |
|-----------------|---------------------------|---|
| Security | Security | On-Device Machine Learning 128-bit AES Encryption with SSL/TLS WPA/WPA2-PSK |
| Power | Power Source | 9V DC Power Adapter |
| | Input Voltage | 100-240 V, 50/60 Hz |
| | Output Voltage | 9 V, 0.6 A (DC Power) |
| | DC Power Connector Size | Inside Ø: 2.1 mm Outside Ø: 5.5 mm |
| | Power Cord Length | 3 m |
| | Typical Power Consumption | 1.78 W |
| | Maximum Power Consumption | 3.27 W |
| General | Certifications | CE, FCC, RCM, JRF, VCCI |
| | Smart Integration | Google Assistant, Amazon Alexa |
| | Mounting Options | Tabletop Ceiling-Mounted |
| | Operating Temperature | 0 °C ~ 40 °C (32 °F ~ 104 °F) |
| | Storage Temperature | -20 °C ~60 °C (-4 °F ~ 140 °F) |
| | Operating Humidity | 10%~90% RH, Non-condensing |

| | | |
|----------------|---------------------|---|
| General | Storage Humidity | 5%~90% RH, Non-condensing |
| | Mounting Screw Size |  |
| | Dimensions | 3.36 × 3.42 × 4.63 in (85.4 × 86.8 × 117.7 mm) |
| | Weight | 6.4oz/182g |
| | Package Contents | Tapo C210 Camera Power Adapter Quick Start Guide Mounting Anchors Mounting Screws Mounting Template Sticker Camera Base |