

Outdoor Full-Color

Bullet Network Camera

MODEL: VIGI C350 (2.8mm/4mm/6mm)



H.265+

VIGI C350



People & Vehicle
Analytics*



Human & Vehicle
Classification



Smart Detection



True WDR



Two-Way Audio

// Human & Vehicle Classification

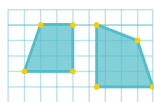
Intelligently distinguishes humans and vehicles from other objects, so you receive more accurate event notifications.



// Smart Detection



Motion Detection



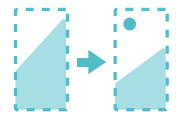
Intrusion Detection



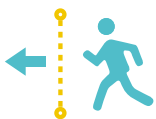
Object Removal
Detection



Region Entering
Detection



Scene Change
Detection



Line-Crossing
Detection



Camera Tampering



Object Aban-
doned Detection



Region Exiting
Detection

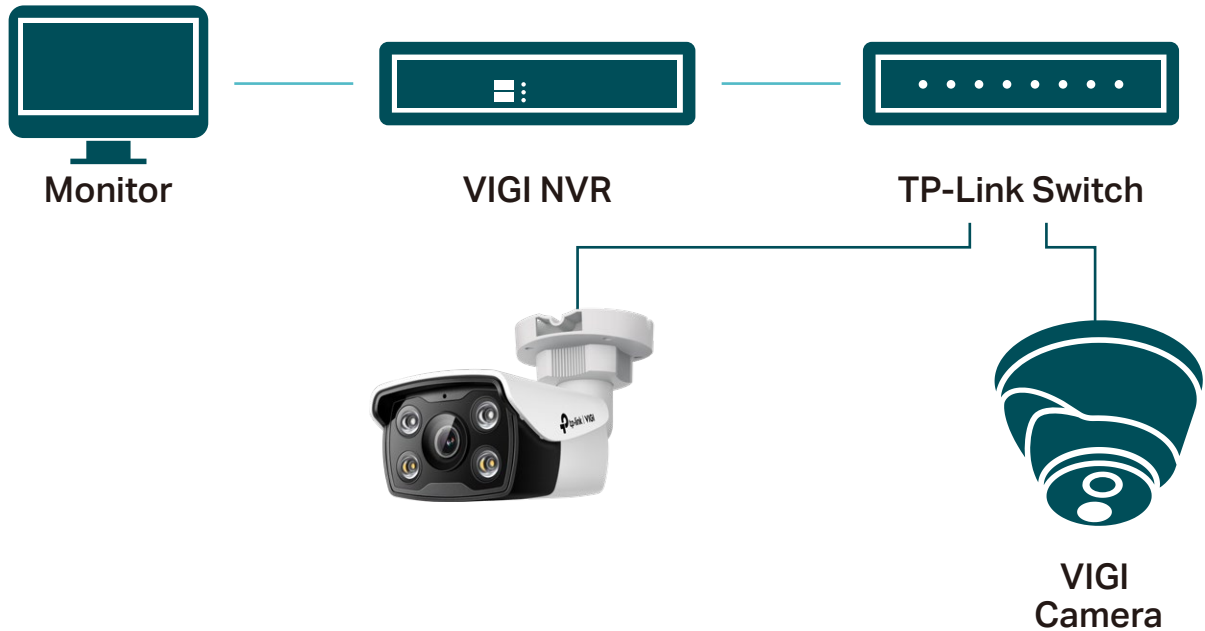


Loitering
Detection

// VIGI Surveillance Solution

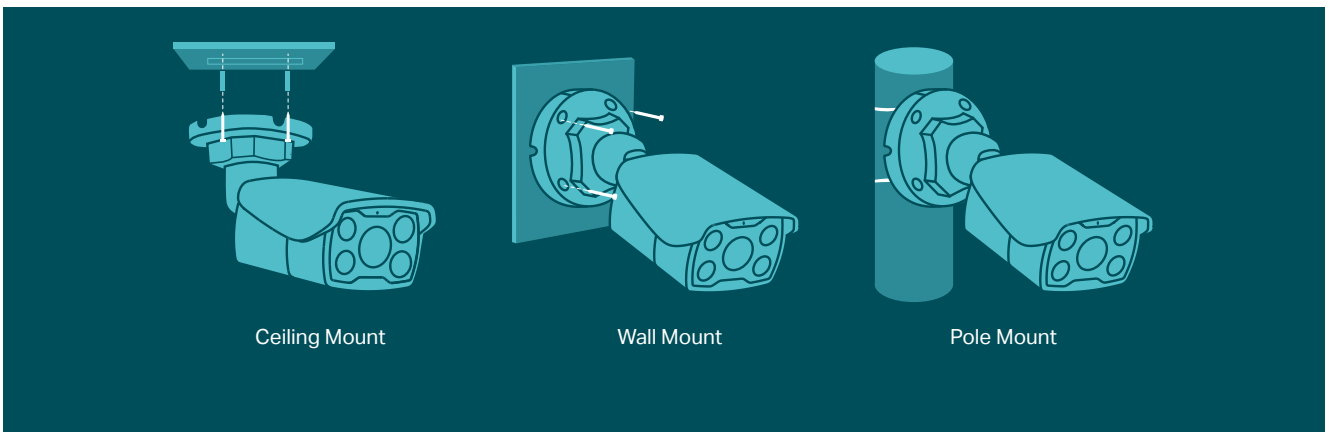
The VIGI professional surveillance system by TP-Link is dedicated to protecting the business that you've worked hard to build—whenever, wherever.

Outstanding functions, reliable quality guarantees, and simplified installation work together to ensure your business stays safe and sound.



// Flexible Installation

Find the perfect vantage point by simply securing your camera to the ceiling, wall, or pole*.



// Specifications

Camera	
Product Model	VIGI C350
Image Sensor	V1: 1/2.7" Progressive Scan CMOS V1.20: 1/2.65" Progressive Scan CMOS
Min. Illumination	0.005 Lux; 0 Lux with IR/white light
Shutter Speed	1/3 to 1/10000 s
Slow Shutter	Yes
Day & Night Mechanism	IR Cut Filter
Day/Night Switch	Unified/Scheduled/Auto
Lens	
Type	Fixed Focal Lens
Focal Length	2.8 mm/4 mm/6 mm
Aperture	F1.6
FOV	V1: <ul style="list-style-type: none"> • 2.8mm: Horizontal FOV: 109°, Vertical FOV: 57°, Diagonal FOV: 128° • 4mm: Horizontal FOV: 90°, Vertical FOV: 48°, Diagonal FOV: 107° • 6mm: Horizontal FOV: 56°, Vertical FOV: 30.5°, Diagonal FOV: 66° V1.20: <ul style="list-style-type: none"> • 2.8mm: Horizontal:108.3°, Vertical FOV: 59.9°, Diagonal FOV: 126.8° • 4mm: Horizontal:88.4°, Vertical FOV: 46°, Diagonal FOV: 105.9°
Lens Mount	M12*P 0.5
DORI Distance	<p>2.8 mm</p> <p>Detect: 64 m (210 ft)</p> <p>Observe: 27 m (89 ft)</p> <p>Recognize: 13 m (43 ft)</p> <p>Identify: 6 m (20 ft)</p> <p>4 mm</p> <p>Detect: 80 m (262 ft)</p> <p>Observe: 33 m (108 ft)</p> <p>Recognize: 16 m (52 ft)</p> <p>Identify: 8 m (26 ft)</p> <p>6 mm</p> <p>Detect: 120 m (393 ft)</p> <p>Observe: 50 m (164 ft)</p> <p>Recognize: 24 m (78 ft)</p> <p>Identify: 12 m (39 ft)</p> <p>Note: V1.20 models only include 2.8mm and 4mm lenses.</p>

Angle adjustment (manual)	
Range	Pan: 0° to 360°, Tilt: 0° to 90°, Rotation: 0° to 360°
Illuminator	
Illuminator Type	<ul style="list-style-type: none"> • 2× IR LED • 2× White LED
Illuminator Distance	30 m (98 ft)
Illuminator On/Off Control	Auto/Scheduled/Always on/Always off
Video	
Max. Resolution	2880 X 1620
Main Stream	<p>Frame Rate: 50Hz: 1fps, 5fps, 10fps, 15fps, 20fps, 25fps 60Hz: 1fps, 5fps, 10fps, 15fps, 20fps, 25fps, 30fps</p> <p>Resolution: 2880x1620, 2688x1520, 2304x1296, 2048x1280, 1920x1080, 1280x720</p> <p>Note: If the image rotation is set to 90° or 270°, the frame rate only supports up to 20fps.</p>
Sub-Stream	<p>Frame Rate: 50Hz: 1fps, 5fps, 10fps, 15fps, 20fps, 25fps 60Hz: 1fps, 5fps, 10fps, 15fps, 20fps, 25fps, 30fps</p> <p>Resolution: 848x480, 704x576, 640x480, 640x360, 352x288, 320x240</p> <p>Note: If the image rotation is set to 90° or 270°, the frame rate only supports up to 20fps.</p>
Bit Rate Control	CBR, VBR
Video Compression	Main Stream: H.265+/H.265/H.264+/H.264 Sub-Stream: H.265/H.264
H.264 Type	High Profile
H.264+	Main Stream Supported
H.265 Type	Main Profile [^]
H.265+	Main Stream Supported [^]
Video Bit Rate	Main Stream: 256 Kbps to 6 Mbps Sub-Stream: 64 Kbps to 512 Kbps

Image

Image Settings	<ul style="list-style-type: none">• Mirror• Rotation• Brightness• Contrast• Saturation• Sharpness• Exposure• WDR• White balance• Prevent overexposure to infrared light• HLC Adjustable by Client Software
Image Enhancement	BLC/3D DNR/HLC/SmartIR
Wide Dynamic Range (WDR)	120 dB Note: When People & Vehicle Analytics is enabled, only DWDR is supported.
SNR	≥ 52 dB
Image Parameters Switch	Yes
Privacy Mask	Up to 4 Masks
ROI	1 Region
OSD Setting	Yes

Audio

Audio Communication	Two-way audio
Audio Input	Yes (Built-in Microphone)
Audio Output	Yes (Built-in Speaker)
Audio Compression	Yes
Audio Sampling Rate	8KHz
Environment Noise Filtering	Yes
Audio Bit Rate	64 Kbps(G.711 alaw)

Network

Protocols	TCP/IP, UDP, ICMP, HTTP, HTTPS, DHCP, 802.1x, DNS, RTSP, NTP, UPnP, SSL/TLS, FTP/SFTP, RTP, IPv4, IPv6, ARP, SMTP, SNMP, RTMP
API	Open Network Video Interface (Profile G/S/T)
Web Browser	Google Chrome® 57 and above Firefox® 52 and above Safari® 11 and above Microsoft® Edge 91 and above
Security	Password Protection, HTTPS Encryption, IP Address Filter, Digest Authentication, 802.1X authentication
Simultaneous Live View	3 Main Streams & 3 Sub-Streams
Client	VIGI App, Web UI, VIGI VMS, VIGI Cloud VMS, VIGI Config Tool, VIGI PC Client
Cloud	Yes
ONVIF	Yes

Alarm and Event Management

Smart Event	<ul style="list-style-type: none">• Intrusion Detection• Line-Crossing Detection• People Detection• Vehicle Detection• Region Entering Detection• Region Exiting Detection• Object Abandoned Detection• Object Removal Detection• Loitering Detection• Abnormal Sound Detection• Scene Change Detection
Basic Event	<ul style="list-style-type: none">• Motion Detection (Enhanced with Human & Vehicle Classification for more accurate alerts)• Video Tampering Detection• Exception (Illegal Login)
Alarm Linkage	<ul style="list-style-type: none">• Memory Card Video Recording• Upload to FTP server• Push Notifications• Active Defence-Sound Alarm• Active Defence-Light Alarm• Email Alarm• Send to Alarm Server

Deep Learning Function

People & Vehicle Analytics	Search and filter to people or vehicle of interest based on many different attributes, making post-event search faster and easier.
----------------------------	--

Interface

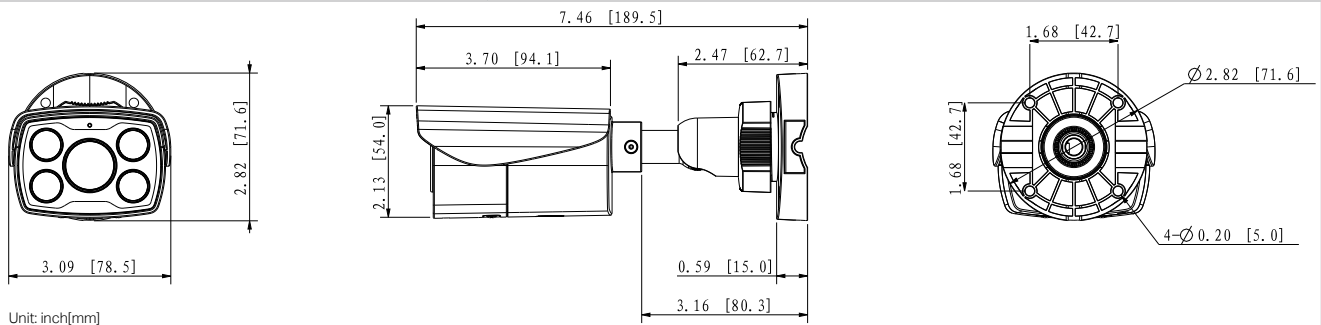
Network Interface	1 RJ45 10/100M Self-Adaptive Ethernet Port, PoE
On-board Storage	Built-In Memory Card Slot, Support MicroSD Card, up to 512 GB
Built-in Speaker	Yes
Built-in Microphone	Yes; Records Anything Going on within a 16.4-ft (5 m) Radius of the Camera
Audio	N/A
Alarm	N/A
Reset Button	Yes
Power	DC Power Port

General

Operating Temperature	-30–60 °C
Storage Temperature	-40–60 °C
Operating Humidity	95% or Less (Non-condensing)
Storage Humidity	95% or Less (Non-condensing)
Power Supply	12V DC \pm 5%, Max. 9 W, 5.5 mm Coaxial Power Plug PoE: 802.3af/at, class 0, Max. 10.5 W
Material	Plastic
Protection	IP67

Product Dimensions (L x W x H)	3.1 × 7.4 × 2.8 in (78.5 × 188.0 × 71.5 mm)
Package Contents	VIGI Network Camera Quick Start Guide Waterproof Cable Attachments Mounting Accessories
Net Weight	0.336 Kg
Certifications	CE, NTRA, VCCI, KC, BSMI, FCC, IC

Dimensions



*Some features are in development and will update with future software iterations.

*Pole mounting kits and SD card are not included in the package.

†When People & Vehicle Analytics is enabled, only DWDR is supported.

**Calculations based on laboratory testing using a 3MP VIGI camera, and an actual performance may vary according to the amount of activity recorded, resolution and other variables.

#This function must be used with VIGI specified software.

^Tile encoding is automatically enabled in H.265 mode when the horizontal resolution exceeds 2688. If a third-party NVR doesn't support tile encoding, it cannot enable H.265 mode. For optimal performance, we recommend using VIGI NVR with VIGI cameras.

Specifications are subject to change without notice and can be found at www.vigi.com.

©2026 TP-Link